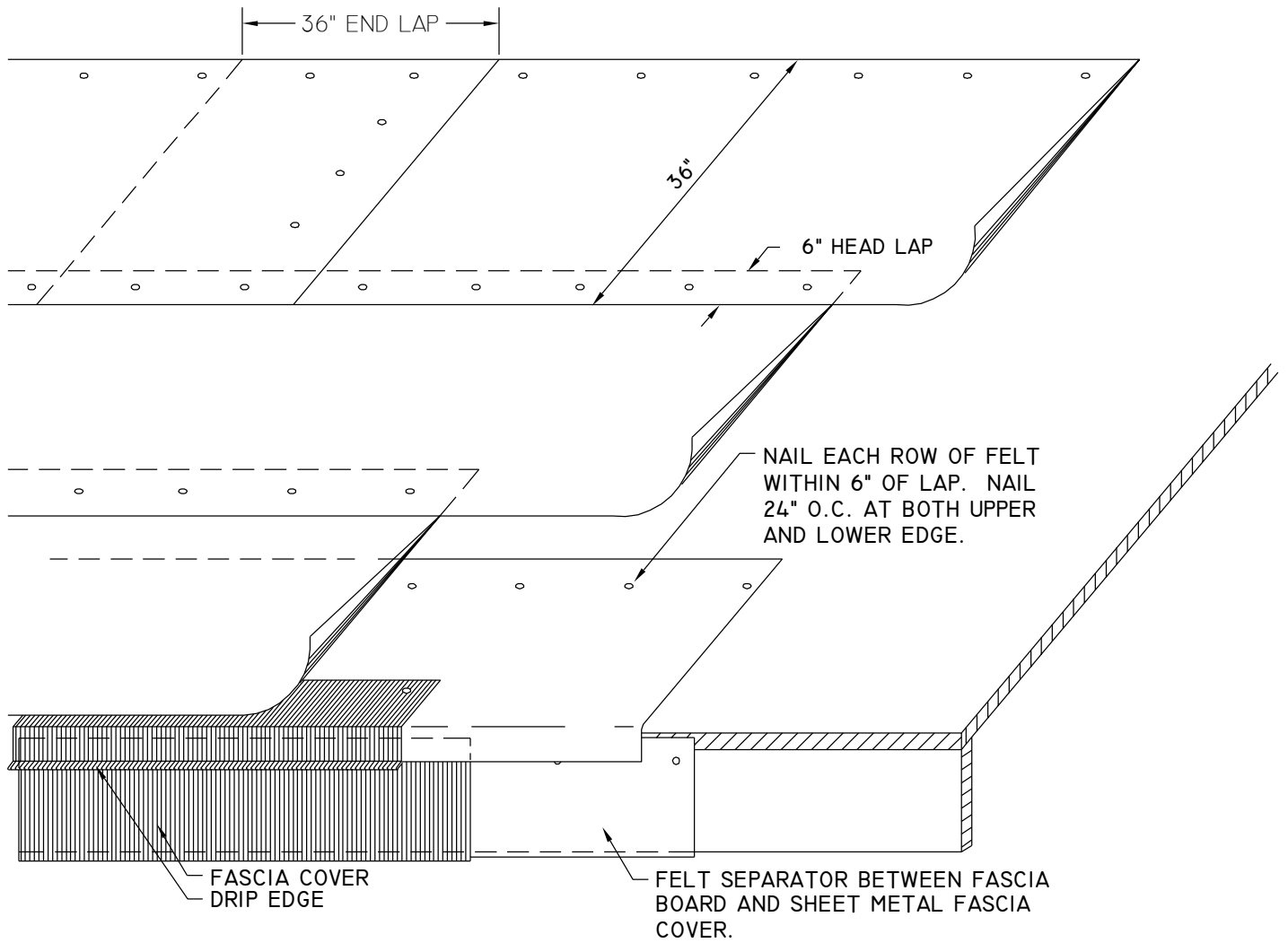
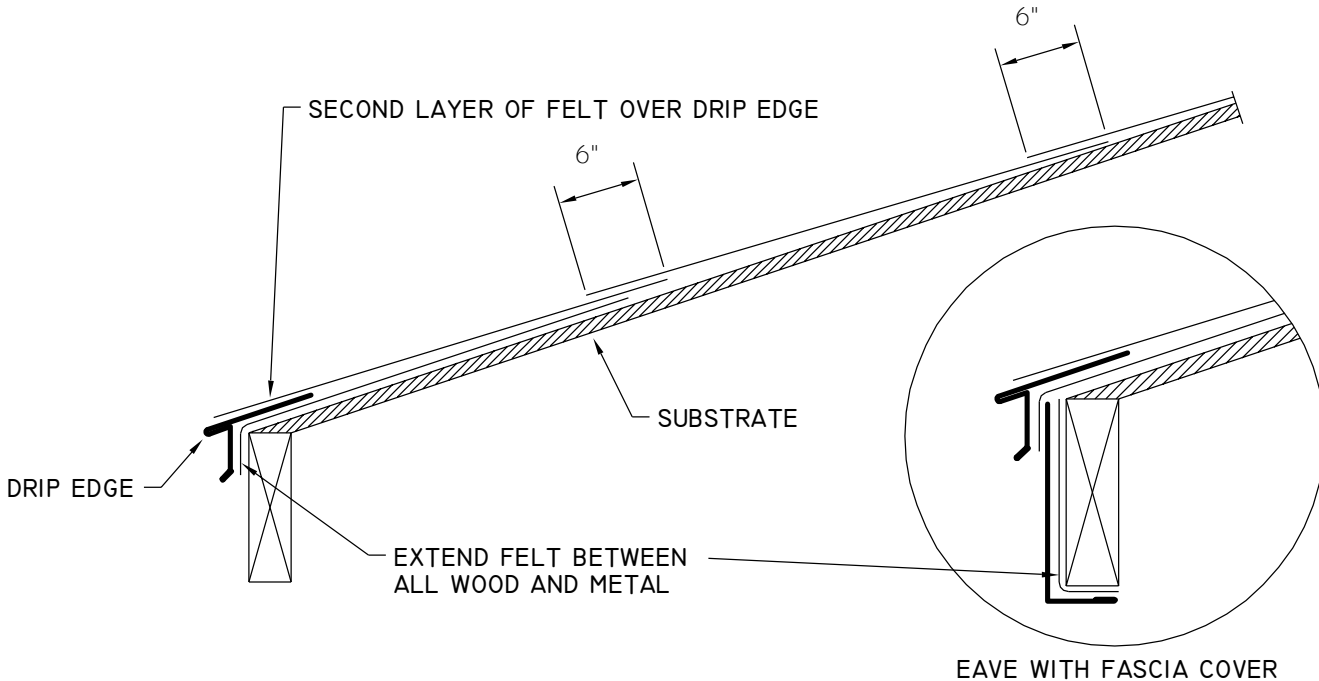


PLYWOOD SHEATHING

EAVE & FIELD FELT



* GRACE ICE & WATER SHIELD OR EQUAL MAY BE USED IN LIEU OF # 30 FELT.



Metal Panel Systems, Inc.

CINCINNATI, OHIO 800-554-6126 513-554-6120 Fax 513-554-6121

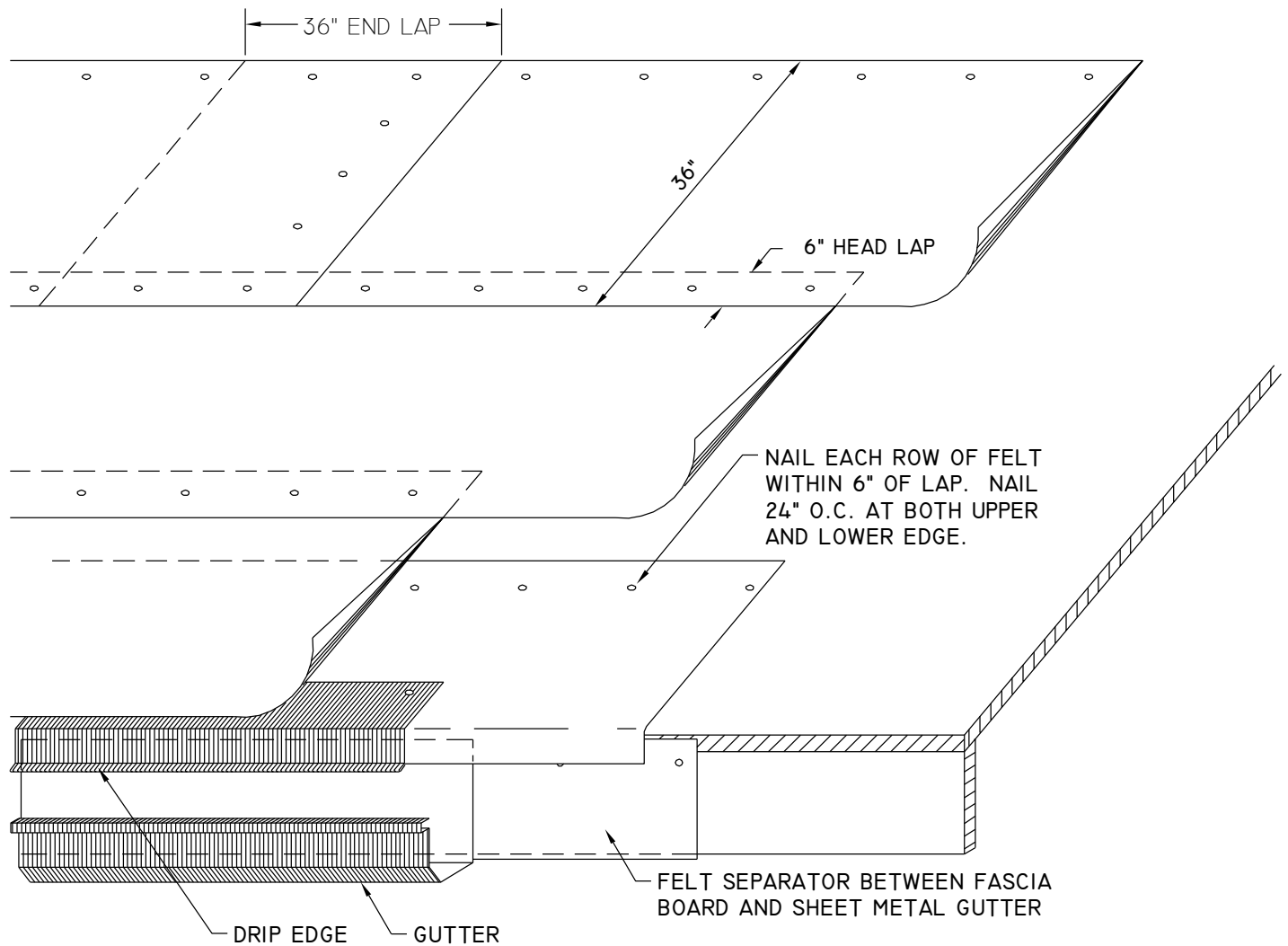
DETAILS AND INSTRUCTIONS SUBJECT TO CHANGE WITHOUT NOTICE. CONTACT MPSI FOR SPECIFIC PROJECT DETAILS.

UND-01

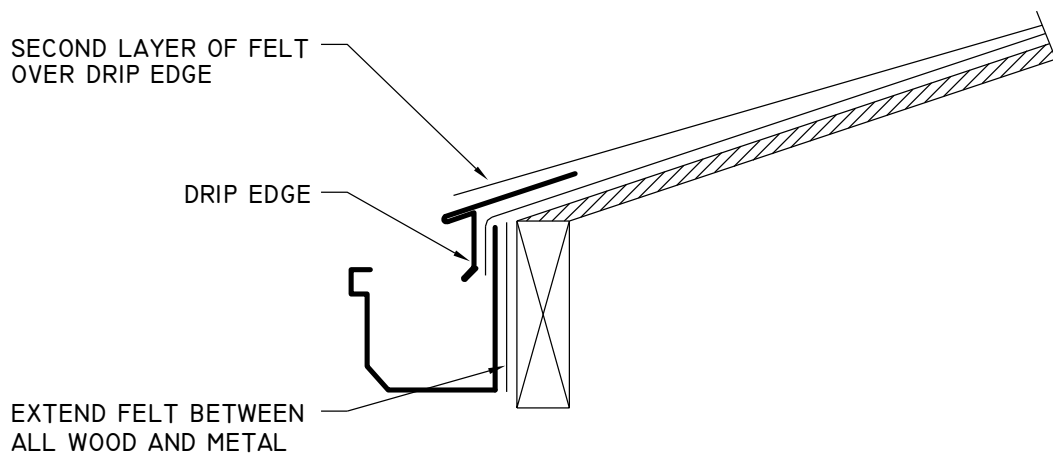
07/2001

EAVE WITH GUTTER

PLYWOOD SHEATHING



* GRACE ICE & WATER SHIELD OR EQUAL MAY BE USED IN LIEU OF # 30 FELT.



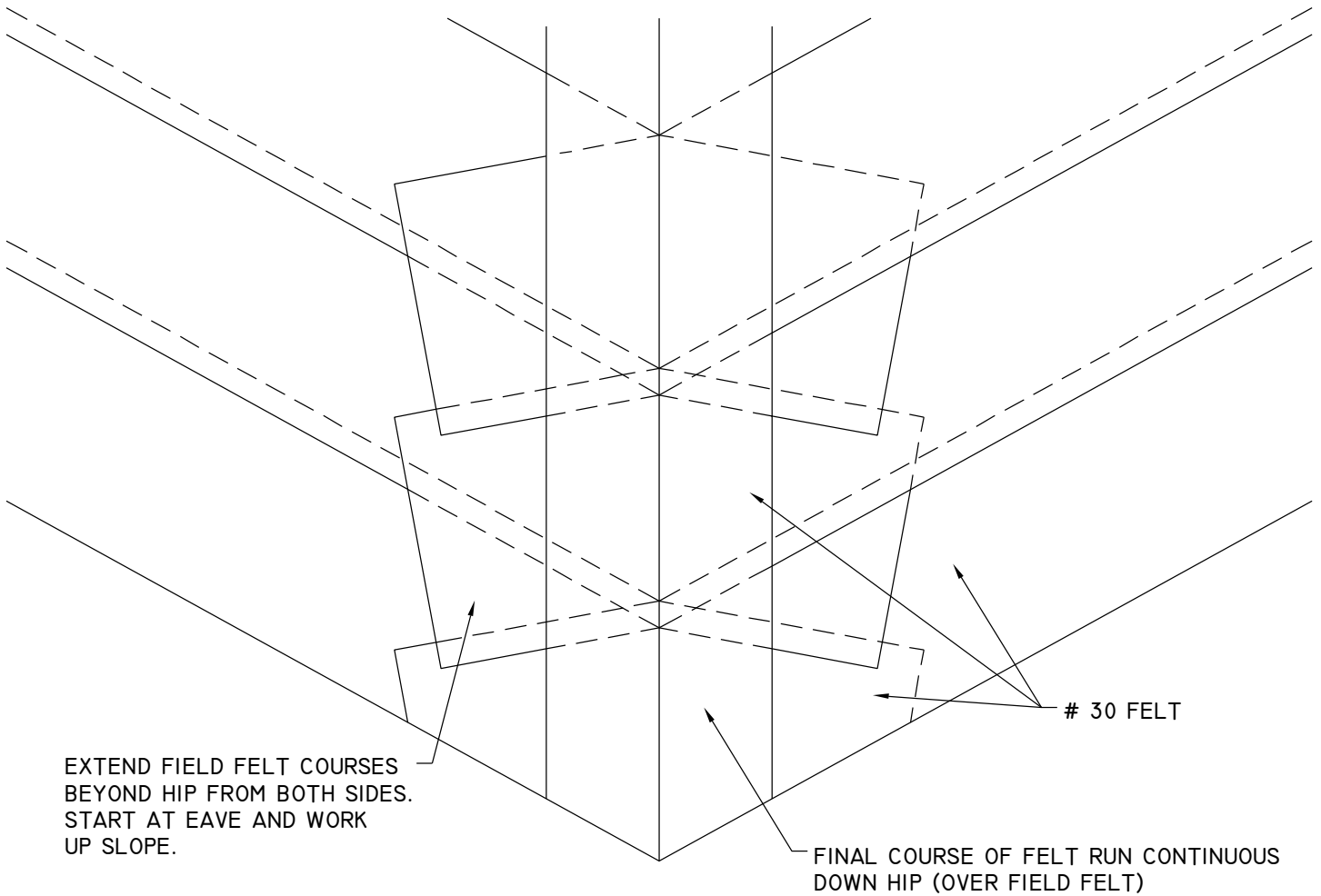
UND-02
07/2001

Metal Panel Systems, Inc.

CINCINNATI, OHIO 800-554-6126 513-554-6120 Fax 513-554-6121
DETAILS AND INSTRUCTIONS SUBJECT TO CHANGE WITHOUT NOTICE. CONTACT MPSI FOR SPECIFIC PROJECT DETAILS.

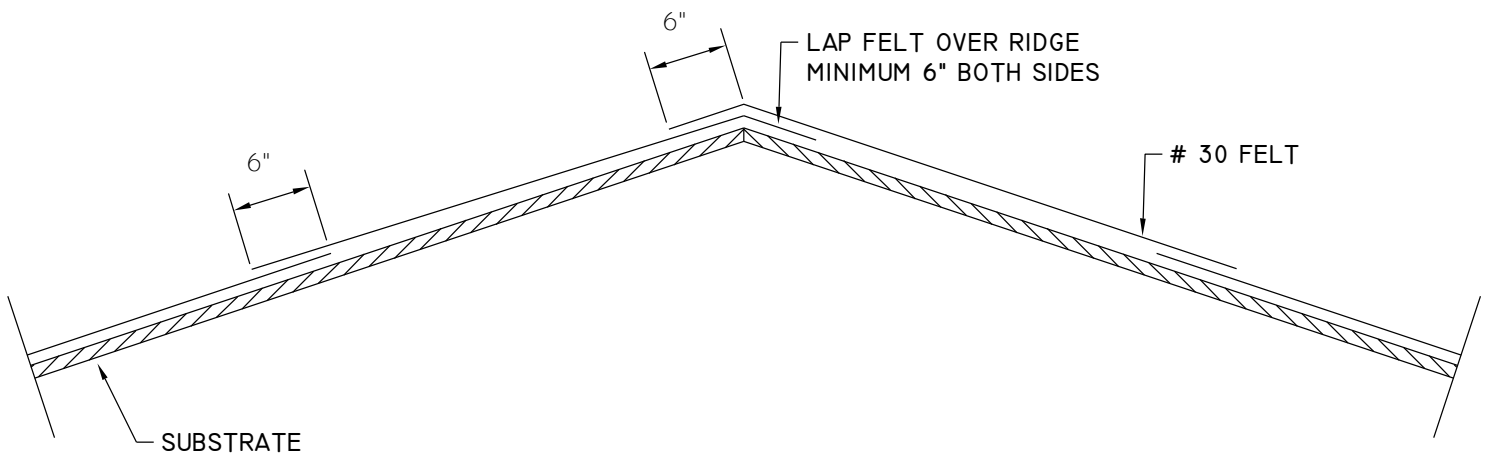
PLYWOOD SHEATHING

HIP FELT



* GRACE ICE & WATER SHIELD OR EQUAL MAY BE USED IN LIEU OF #30 FELT.

RIDGE FELT



Metal Panel Systems, Inc.

CINCINNATI, OHIO 800-554-6126 513-554-6120 Fax 513-554-6121

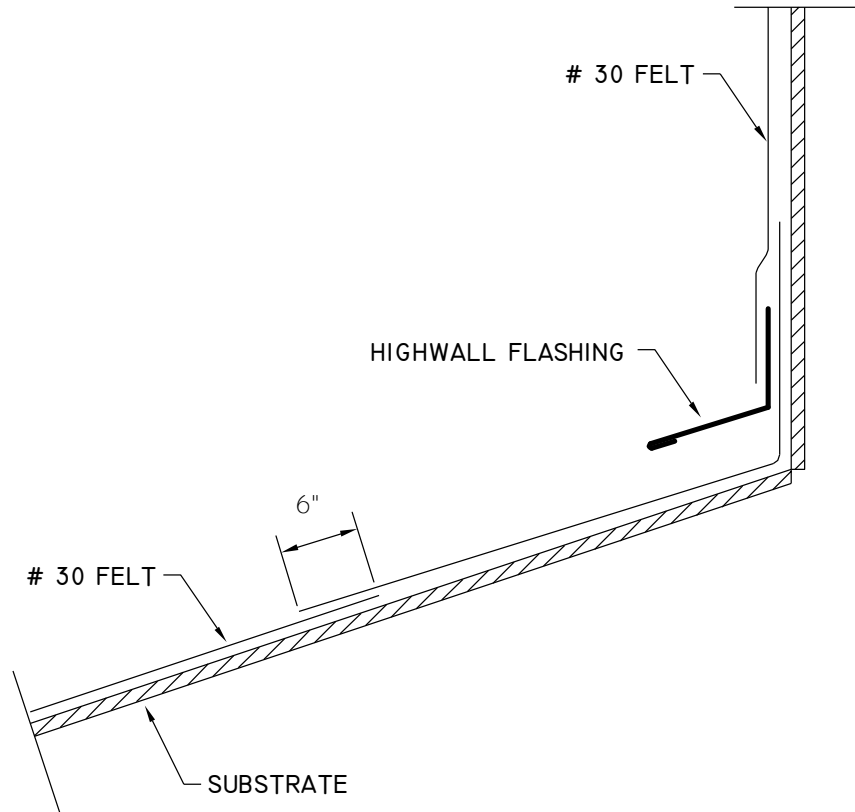
DETAILS AND INSTRUCTIONS SUBJECT TO CHANGE WITHOUT NOTICE. CONTACT MPSI FOR SPECIFIC PROJECT DETAILS.

UND-03

07/2001

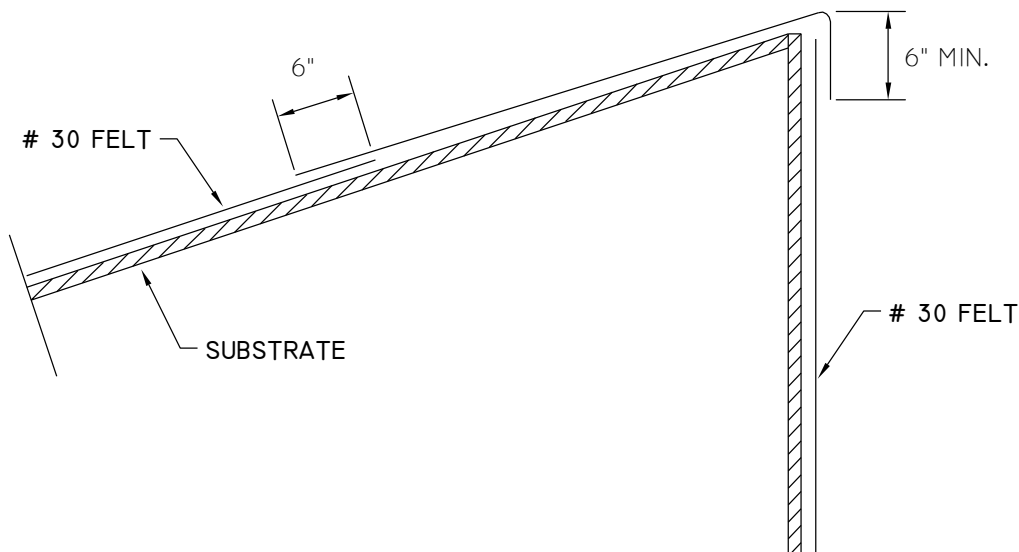
HIGHWALL FELT

PLYWOOD SHEATHING



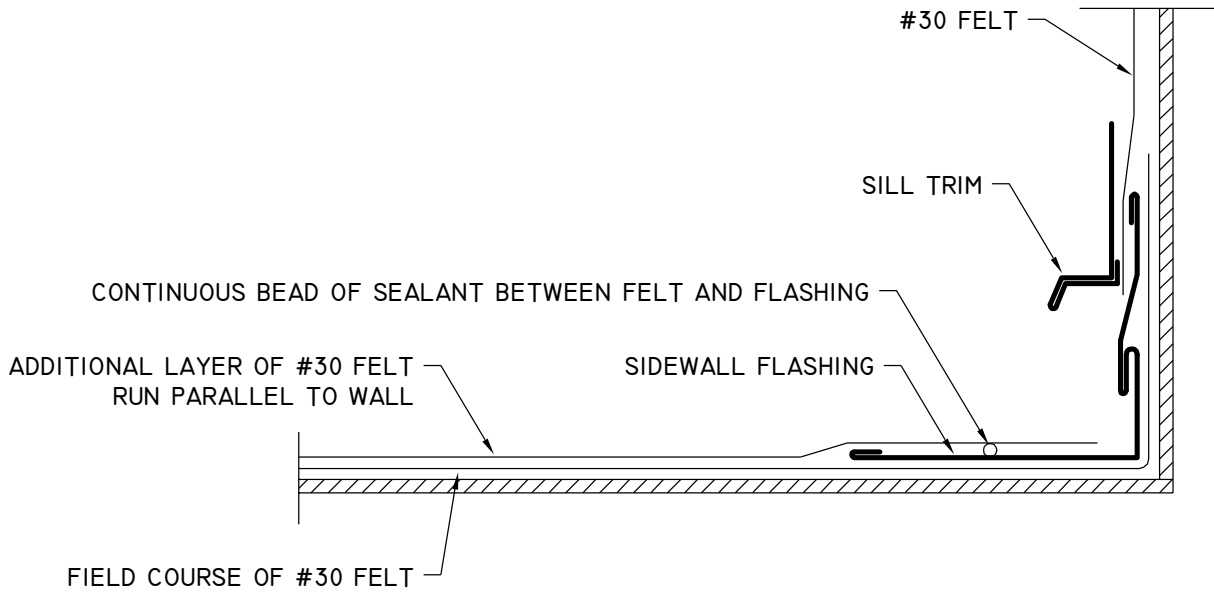
* GRACE ICE & WATER SHIELD OR EQUAL MAY BE USED IN LIEU OF #30 FELT.

PEAK FELT



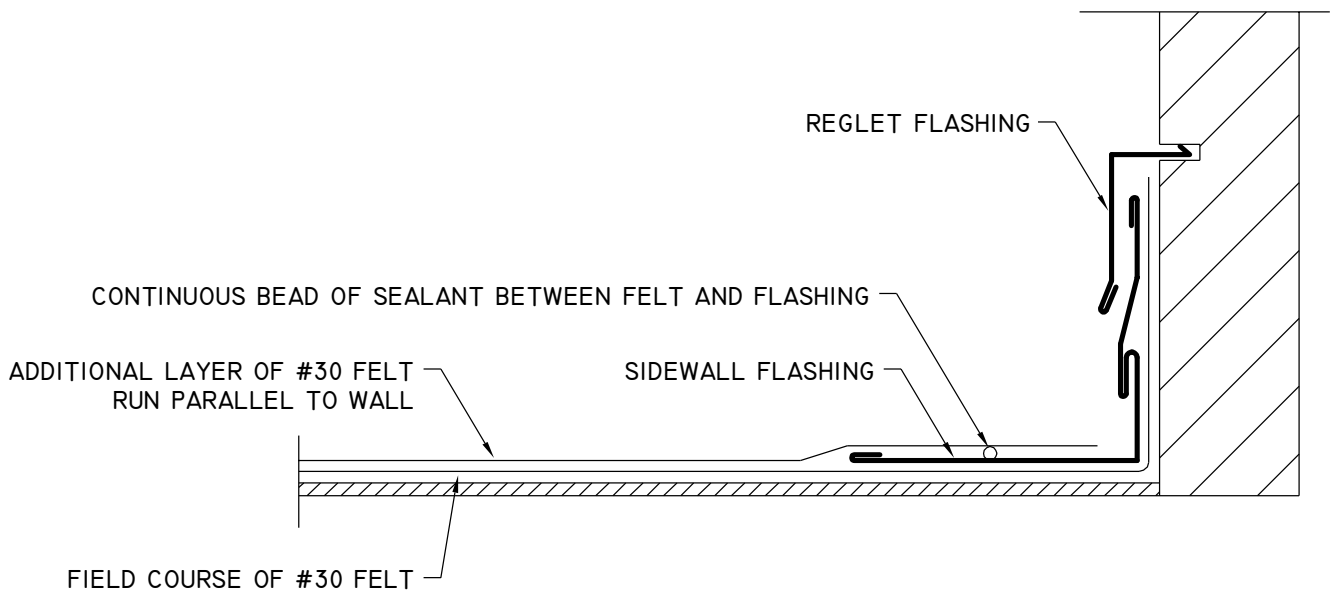
PLYWOOD SHEATHING

SIDEWALL FELT



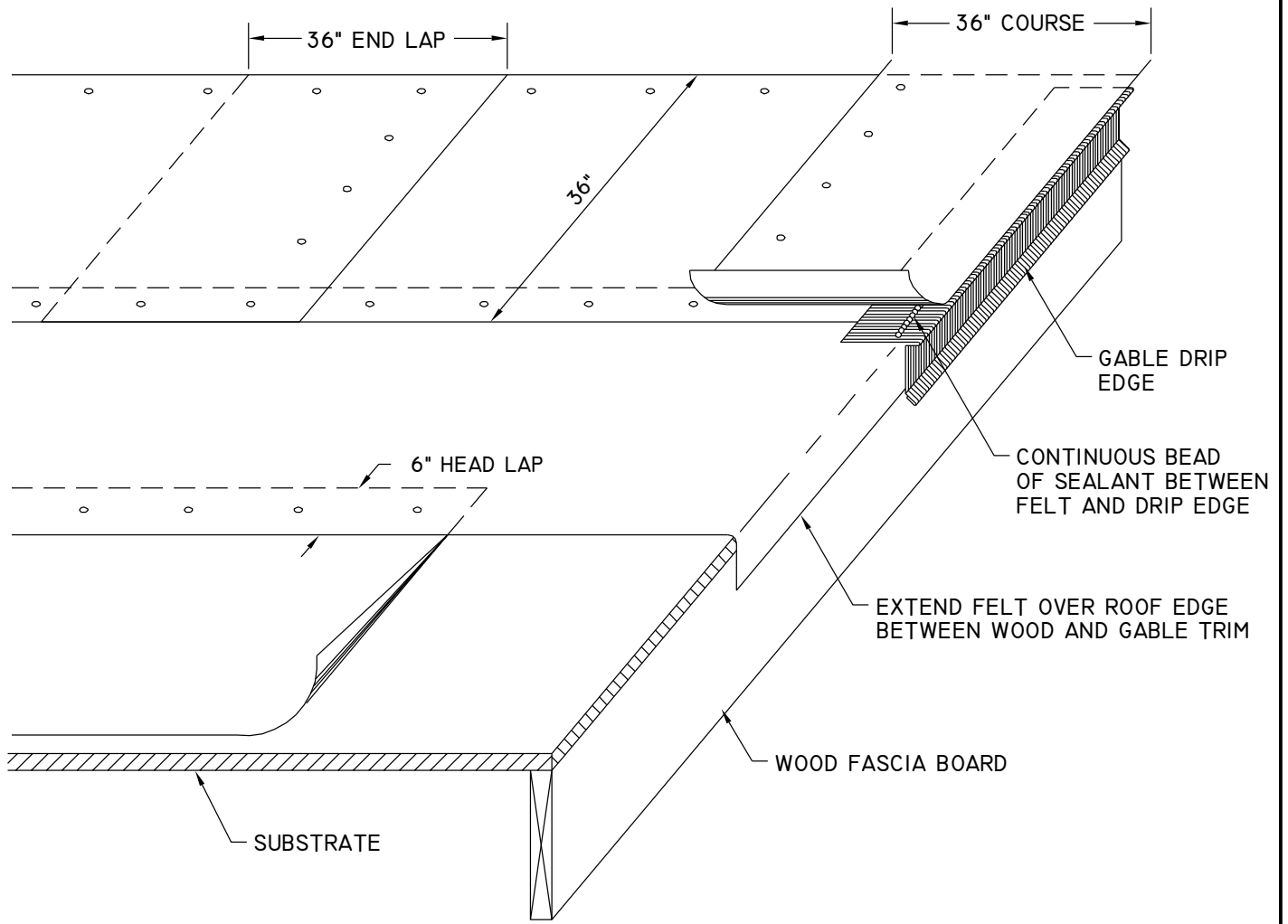
* GRACE ICE & WATER SHIELD OR EQUAL MAY BE USED IN LIEU OF #30 FELT.

SIDEWALL REGLET

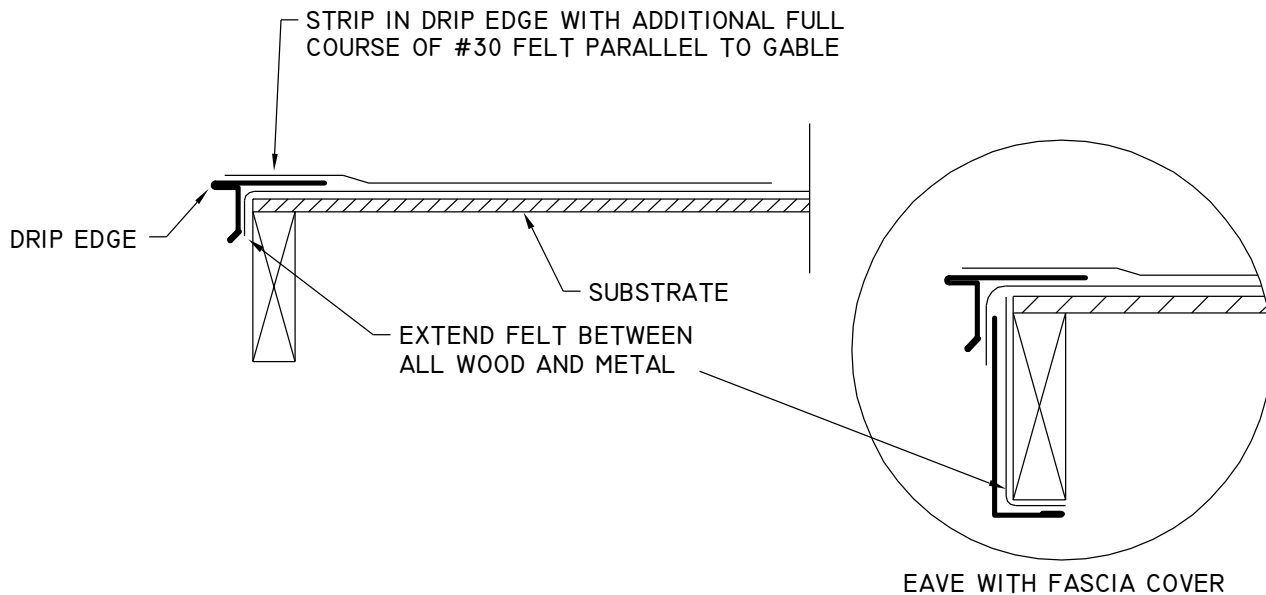


GABLE FELT

PLYWOOD SHEATHING



* GRACE ICE & WATER SHIELD OR EQUAL MAY BE USED IN LIEU OF # 30 FELT.



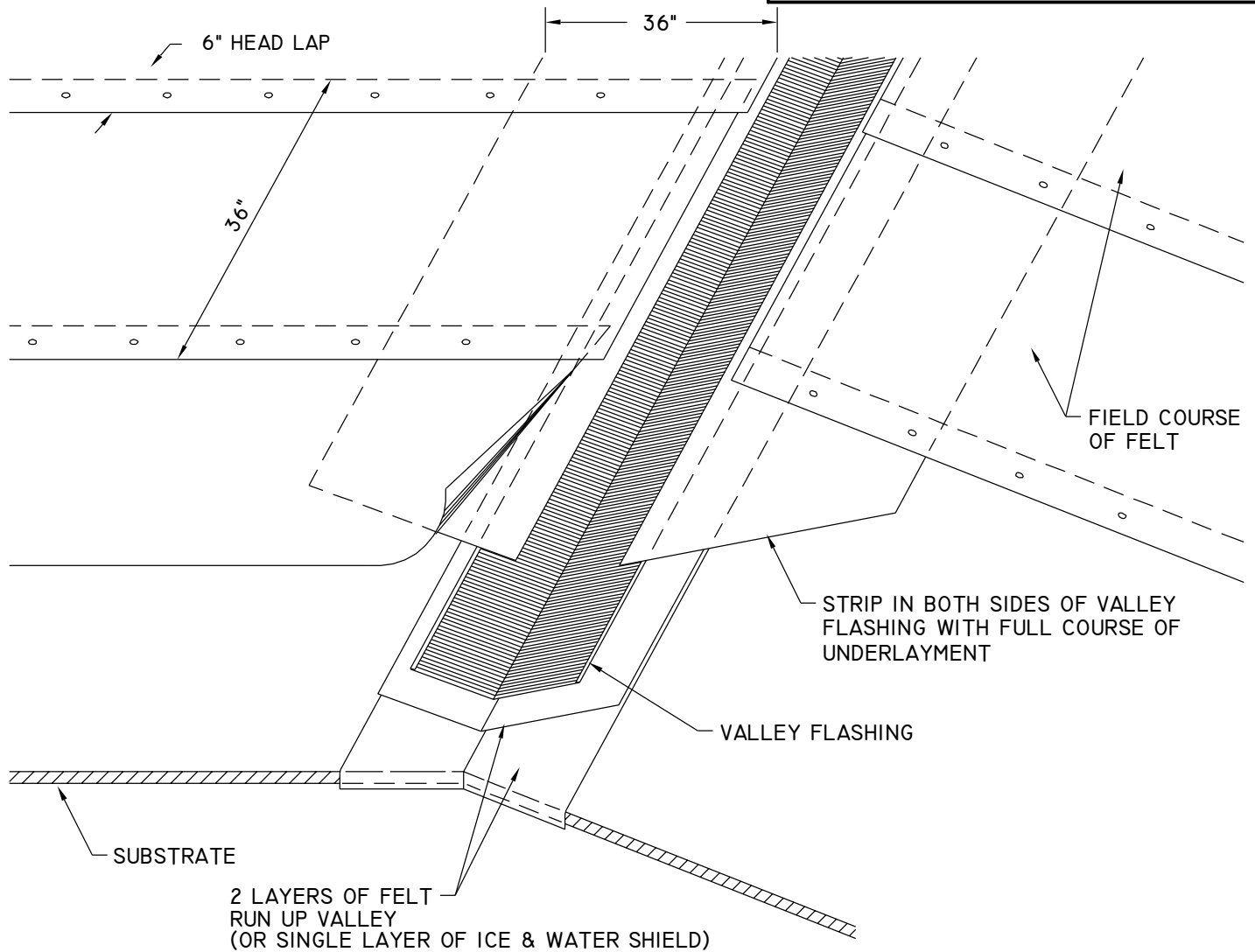
UND-06
07/2001

Metal Panel Systems, Inc.

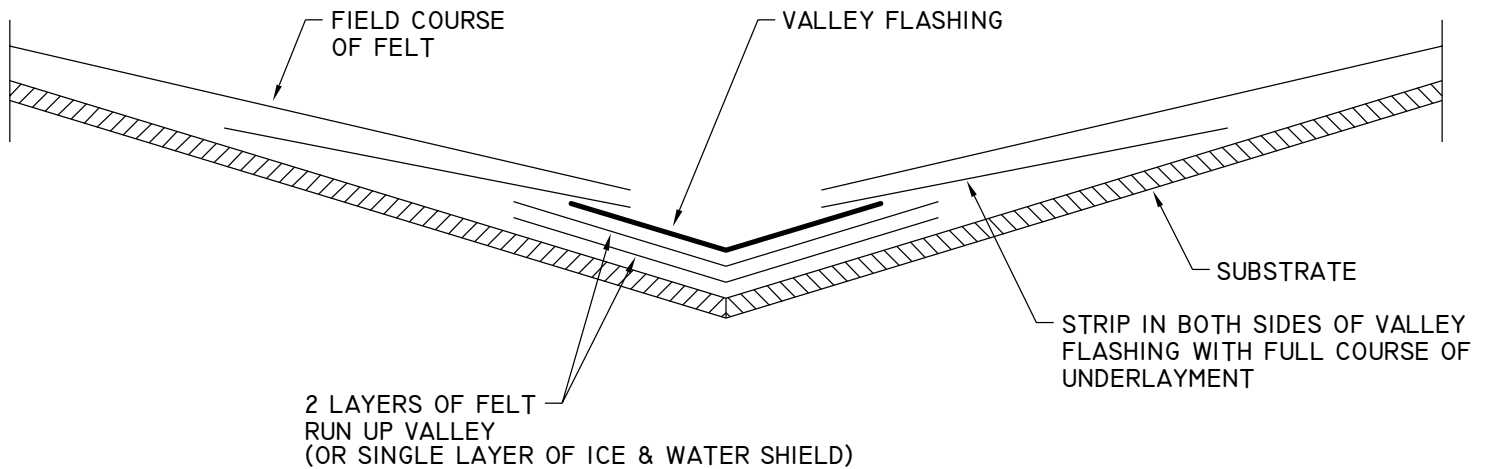
CINCINNATI, OHIO 800-554-6126 513-554-6120 Fax 513-554-6121
DETAILS AND INSTRUCTIONS SUBJECT TO CHANGE WITHOUT NOTICE. CONTACT MPSI FOR SPECIFIC PROJECT DETAILS.

PLYWOOD SHEATHING

VALLEY FELT



* GRACE ICE & WATER SHIELD OR EQUAL MAY BE USED IN LIEU OF # 30 FELT.



Metal Panel Systems, Inc.

CINCINNATI, OHIO 800-554-6126 513-554-6120 Fax 513-554-6121

DETAILS AND INSTRUCTIONS SUBJECT TO CHANGE WITHOUT NOTICE. CONTACT MPSI FOR SPECIFIC PROJECT DETAILS.

UND-07

07/2001