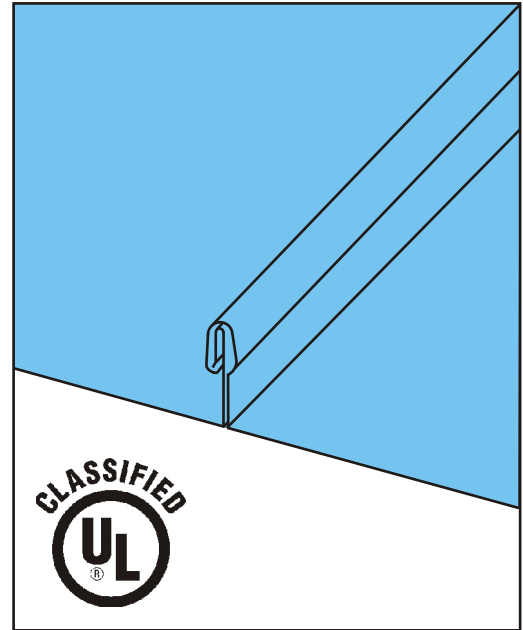
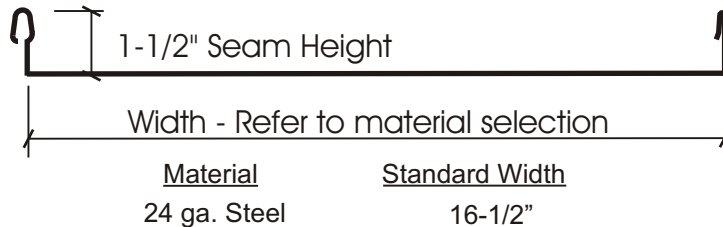


Berridge Cee-Lock Panel

- Integral snap-lock design provides continuous interlock at sidelap
- Roof slopes as low as 2:12. Vertical walls and fascia systems
- Continuous panel lengths. Field forming available.
- Panels expand and contract freely
- One-piece concealed clip
- Optional shop applied Patented Vinyl Weatherseal
- ASTM air and water infiltration tested
- ASTM E-1592 tested for structural performance
- UL-90 uplift resistance classified assemblies
- Metro-Dade NOA approved and Florida Building Code Tested
- Standard finish is PVDF fluoropolymer coating
- 20 year finish warranty
- Colors available which meet Energy Star requirements for roof slopes greater than 2:12.



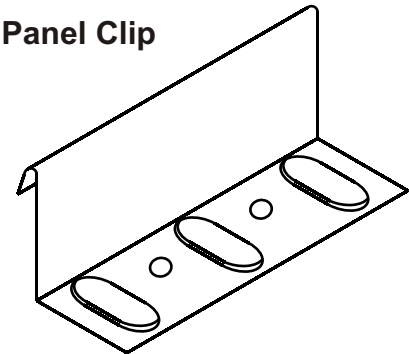
Panel Profile



22 gauge steel available in minimum quantities.
Consult MPSI for costs and lead times.

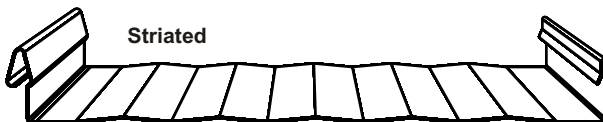
Oil canning: Metal Panel Systems, Inc. purchases prime commercial grade light gauge metal which is manufactured to all industry accepted tolerances. "Oil canning" is an inherent part of light gauge cold formed panels and is not cause for rejection.

Panel Clip



Cee-Lock Standard Clip
(Cee Clip)

Optional Surface Pattern



Seam Profile

