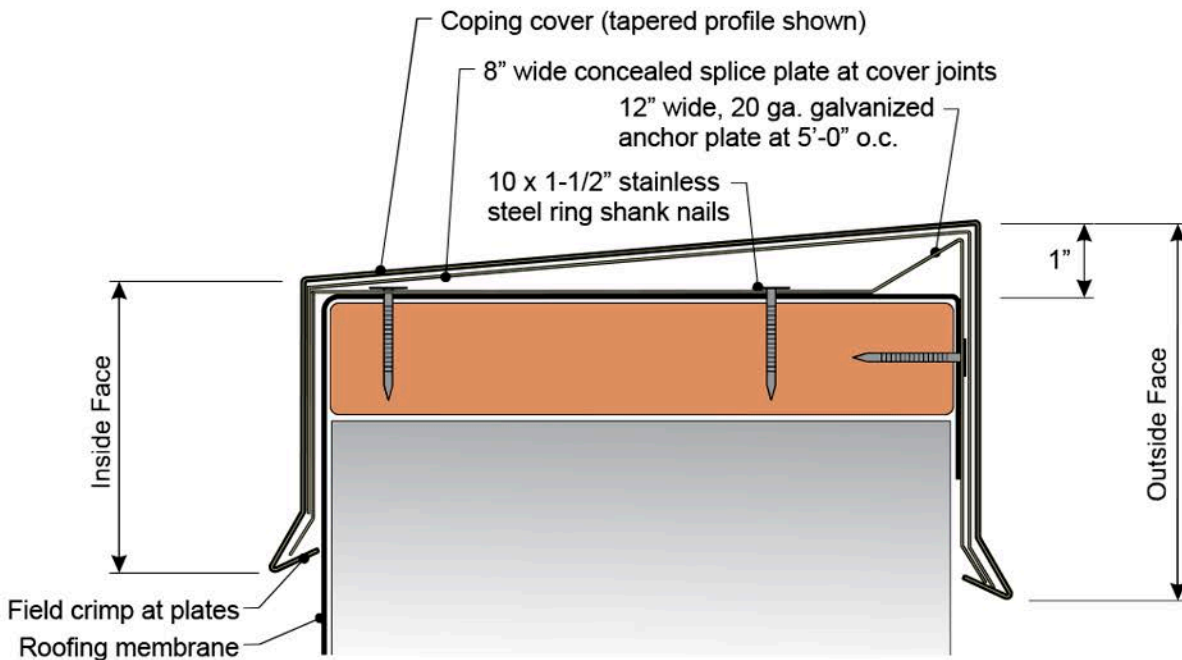


Edge Shield Moc2 Coping

- Continuous 20 gauge galvanized cleat with pre-punched holes
- Available in tapered (sloped) or flat design
- Concealed splice plates
- Fabricated for wall widths from 6" to 24" wide
- Standard finish is PVDF fluoropolymer coating in 30 standard and metallic colors.
- 35 year finish warranty
- Available with factory mitered corners, transitions, and end caps



Material Options:

- 24 gauge (0.63 mm) galvanized steel
- 22 gauge (0.76 mm) galvanized steel
- 24 gauge (0.063 mm) stainless steel
- 0.040" (1.0 mm) aluminum
- 0.050" (1.2 mm) aluminum
- 0.063" (1.5 mm) aluminum

Finish Options:

- Standard Kynar 500® colors (see color chart for availability)
- Custom Kynar® colors
- Plain galvanized steel or "paintgrip"
- Mill finish aluminum
- Anodized aluminum
- 2B finish stainless

Kynar 500® is a registered trademark of Arkema, Inc.
Information subject to change without notice.
Refer to MFSI installation instructions and details for additional information.



11506 Reading Road, Cincinnati, Ohio 45241-2512

Tel: 800-554-6126, 513-554-6120 Fax: 513-554-6121

www.metalpanelsystems.com
info@metalpanelsystems.com