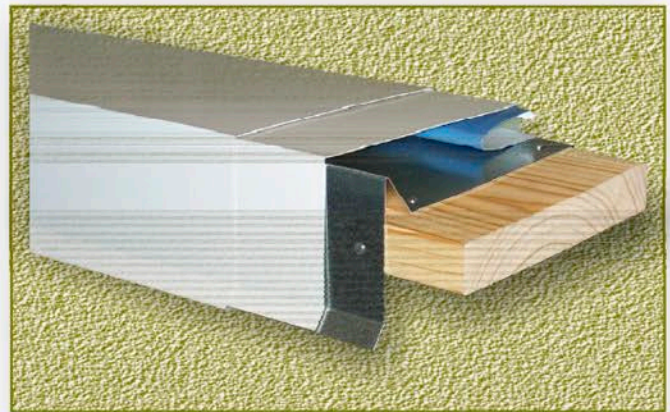
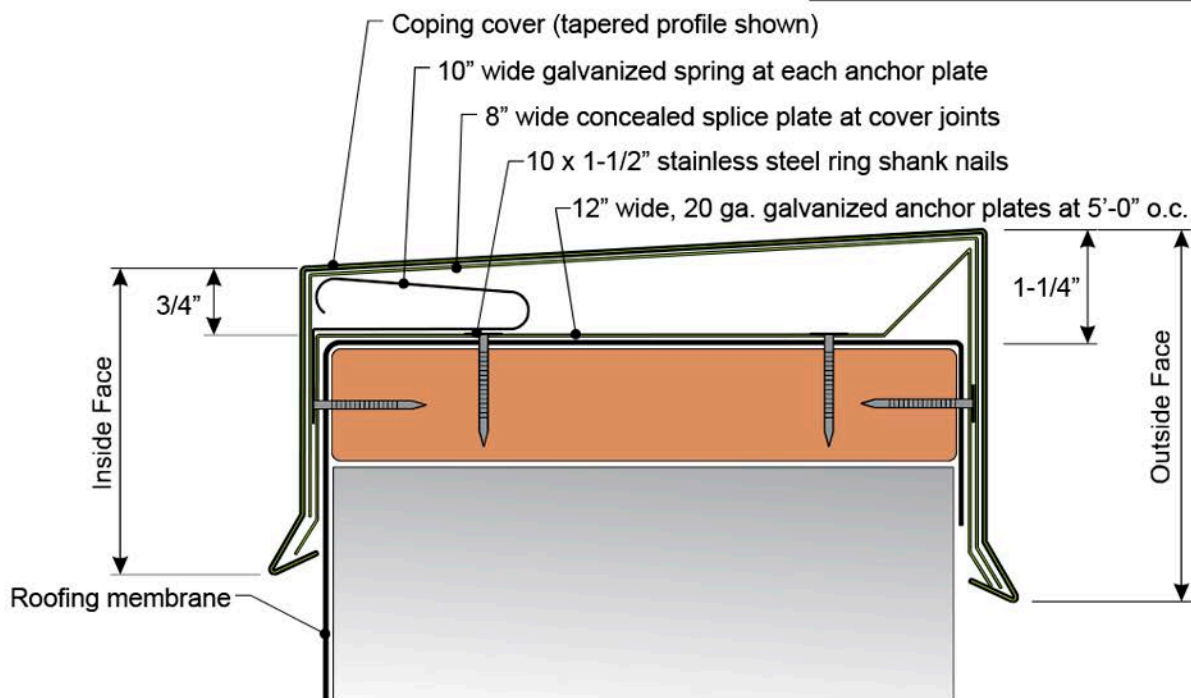


# Edge Shield Moc3 Coping

- Spring lock installation with 20 gauge galvanized anchor plates
- Available in tapered (sloped) or flat design
- No exposed fasteners
- ANSI/SPRI ES-1 tested
- International Building Code (IBC 2003 & 2006) compliant\*
- Pre-punched holes for proper fastener placement
- Concealed splice plates
- Fabricated for wall widths from 6" to 24" wide
- Standard finish is PVDF fluoropolymer coating in 30 standard and metallic colors.
- 35 year finish warranty
- Available with factory mitered corners, transitions, and end caps



**ANSI/SPRI ES-1  
Tested Product**



**Material Options:**

- 24 gauge (0.63 mm) galvanized steel
- 22 gauge (0.76 mm) galvanized steel
- 24 gauge (0.063 mm) stainless steel
- 0.040" (1.0 mm) aluminum
- 0.050" (1.2 mm) aluminum
- 0.063" (1.5 mm) aluminum

**Finish Options:**

- Standard Kynar 500® colors (see color chart for availability)
- Custom Kynar® colors
- Plain galvanized steel or "paintgrip"
- Mill finish aluminum
- Anodized aluminum
- 2B finish stainless

**\*International Building Code requirement:**

2003 IBC § 1504.5: "Edge securement for low-slope roofs. Low-slope membrane roof systems metal edge securement, except gutters, installed in accordance with Section 1507, shall be designated in accordance with ANSI/SPRI ES-1, except the basic wind speed shall be determined from Figure 1609."

Kynar 500® is a registered trademark of Arkema, Inc. Information subject to change without notice. Refer to MPSI installation instructions and details for additional information.



11506 Reading Road, Cincinnati, Ohio 45241-2512

Tel: 800-554-6126, 513-554-6120 Fax: 513-554-6121

www.metalpanelsystems.com  
info@metalpanelsystems.com