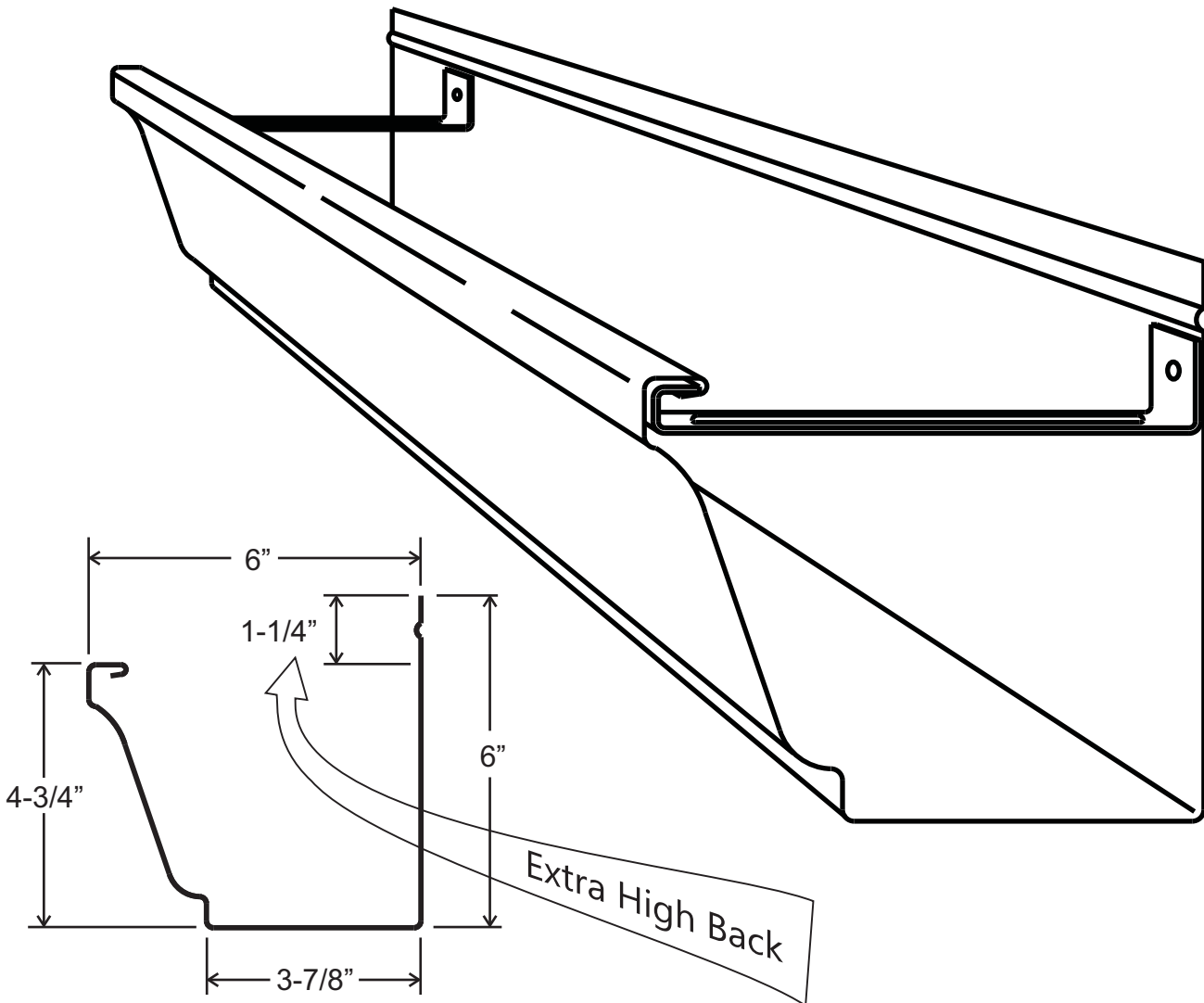


Mig-6 Continuous Commercial Gutter

- Heavy duty 24 gauge steel construction
- Kynar 500 finish (20 year warranty)
- Lengths up to 40' - 0"
- Easy to install, 16 gauge hidden hanger
- Ability to match color/material of standing seam metal roof system.

Materials Available

- 24 ga. Steel
- 0.032" Aluminum
- 16 oz. Copper
- 20 oz. Copper



Gutter Profile

PRODUCT: Mig6 gutter system is a heavy duty commercial grade gutter system. The profile is a decorative ogee style suited for most architectural designs.

APPLICATION: All types of construction including commercial, industrial, and residential. For both steep sloped or flat roof systems.

ATTACHMENT: Mig6 gutter is to be installed with 16 gauge galvanized steel hangers at 24" on center.

LENGTHS: Gutter sections are factory formed in lengths up to 40' 0" long.

MATERIALS: Mig6 Gutter is available in heavy duty 24 ga. steel, 0.032" aluminum, 20 oz. copper, or 16 oz. copper.

KYNAR 500 FINISH: Standard material finish is premium fluoropolymer coatings produced with full strength Kynar 500 or Hylar 5000 resin. Full strength Kynar 500 or Hylar 5000 finishes carry a 20 year guarantee against cracking, peeling, and fade (not to exceed 5 N.B.S. units). These are the highest exterior grade finishes available.