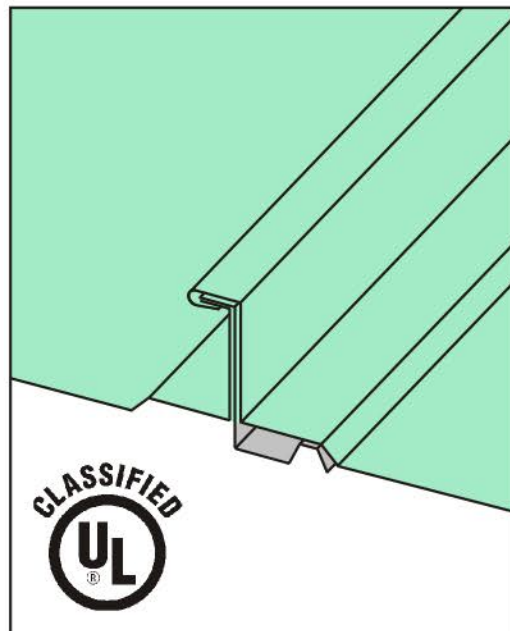


Berridge Zee-Lock Panel

- Spans open framing or solid substrate
- Mechanically seamed sidelap (single lock)
- Roof slopes as low as 1:12. Vertical walls and fascia systems
- Continuous panel lengths. Field forming available.
- Panels expand and contract freely
- One-piece concealed clip with Patented Vinyl Weatherseal
- ASTM air and water infiltration tested
- ASTM E-1592 tested for structural performance
- UL-90 uplift resistance classified assemblies
- Factory Mutual approved and I-120 Rated
- Metro-Dade NOA approved and Florida Building Code Tested
- Standard finish is PVDF fluoropolymer coating
- 20 year finish warranty
- Colors available which meet Energy Star requirements
- Option of double lock seam profile
- CURVING available. Minimum radius of 20' 0".



Panel Profile

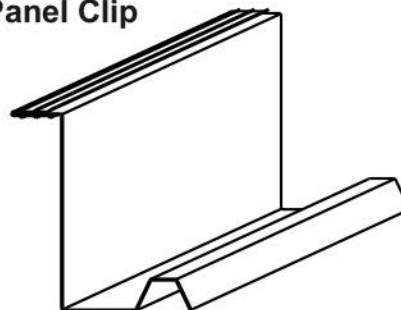


Material	Standard Width
24 ga. Steel	16"

22 gauge steel available in minimum quantities.
Consult MPSI for costs and lead times.

Oil canning: Metal Panel Systems, Inc. purchases prime commercial grade light gauge metal which is manufactured to all industry accepted tolerances. "Oil canning" is an inherent part of light gauge cold formed panels and is not cause for rejection.

Panel Clip



Continuous Zee-Rib with vinyl weatherseal or Zee Clip

Optional Surface Pattern



Seam Profile

