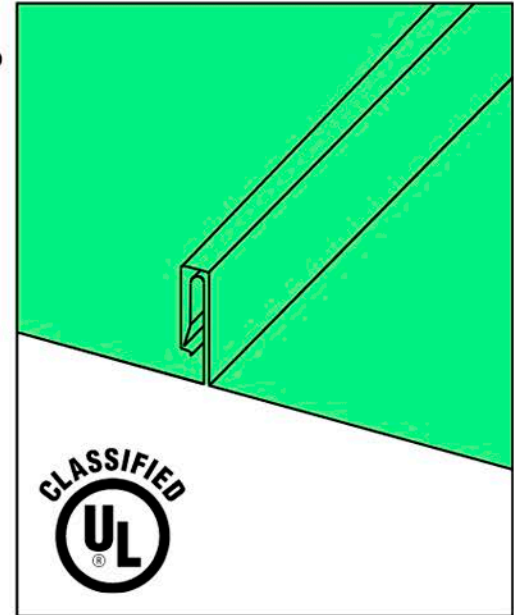
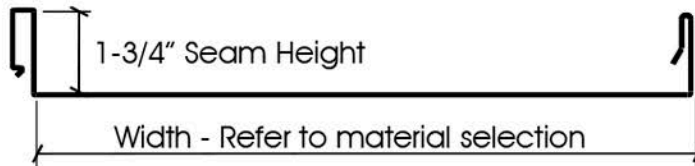


MP-175 Panel

- Architectural (solid substrate) or structural applications
- Integral snap-lock design provides continuous interlock at sidelap
- Roof slopes as low as 3:12. Vertical walls and fascia systems
- Continuous panel lengths. Field forming available.
- Panels expand and contract freely
- One-piece concealed clip
- Optional shop applied non-curing sealant
- ASTM E-1680-95 air infiltration tested
- ASTM E-1646-95 water penetration tested
- ASTM E-1592 tested for structural performance
- UL-90 uplift resistance classified assemblies
- Tapered panels available
- Standard finish is PVDF fluoropolymer coating in 30 standard colors (Custom colors available)
- 35 year finish warranty
- Standard colors are listed with the Energy Star Cool Roof Program.



Panel Profile

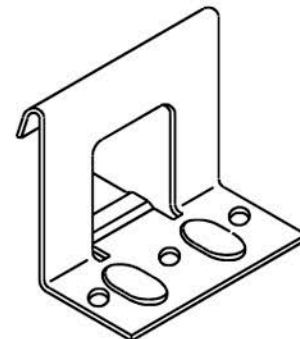


Material	Standard Width	Optional Widths
22 ga. Steel	18"	14", 15", 16"
24 ga. Steel	18"	12", 14", 15", 16"
.040" Aluminum	18"	12", 16"
.032" Aluminum	18"	12", 16"
20 oz. Copper	14"	12", 18"
16 oz. Copper	14"	12", 18"

Optional widths require minimum quantities and slightly longer lead times.
22 gauge steel available in minimum quantities.
Custom widths are available. Consult MPSI for costs and lead times.

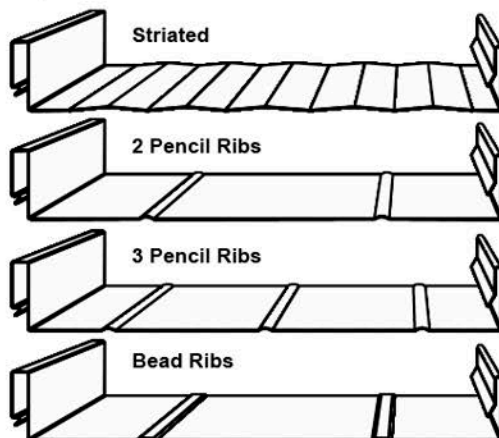
Oil canning: Metal Panel Systems, Inc. purchases prime commercial grade light gauge metal which is manufactured to all industry accepted tolerances. "Oil canning" is an inherent part of light gauge cold formed panels and is not cause for rejection.

Panel Clip



MP-175 Standard Clip (MP175SC)

Optional Surface Patterns



Seam Profile

