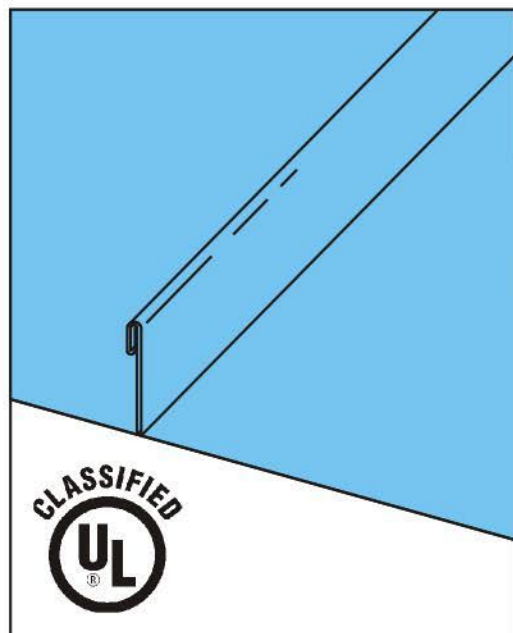
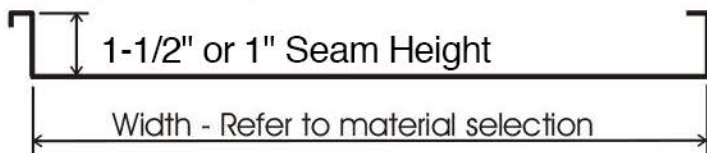


# MPS Sure-Lok Panel

- Architectural (solid substrate) or structural applications
- Mechanically seamed sidelap with option of single or double lock
- Low to high sloped roof application
- Continuous panel lengths. Field forming available.
- Narrow seam profile
- Concealed clip (fixed and expansion)
- Optional shop applied non-curing sealant
- ASTM E-1680-95 air infiltration tested
- ASTM E-1646-95 water penetration tested
- ASTM E-1592 tested for structural performance
- UL-90 uplift resistance classified assemblies
- CURVING: Sure-Lok panel can be curved to a minimum radius of 9'-0" in steel and 4'-0" in aluminum and copper
- TAPERING: Sure-Lok panel can be tapered for conical shaped roof structures
- Standard finish is PVDF fluoropolymer coating in 30 standard colors (Custom colors available)
- 35 year finish warranty
- Standard colors are listed with the Energy Star Cool Roof Program.



## Panel Profile

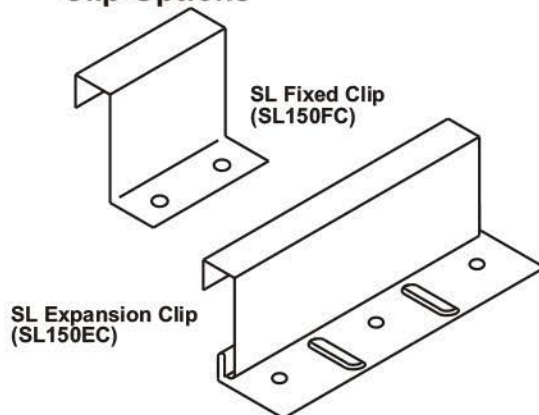


### STANDARD PANEL WIDTHS

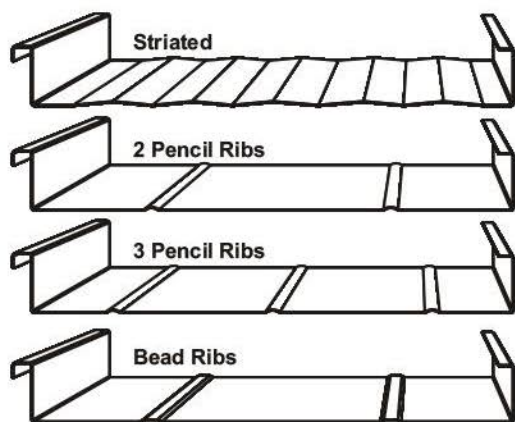
Material	1-1/2" Seam Height	1" Seam Height
24 ga. Steel	16"	17"
.032" Aluminum	12"	13"
16 oz. Copper	16"	17"
20 oz. Copper	16"	17"

Custom widths require minimum quantities and slightly longer lead times. Other materials and gauges are available. Minimum quantities may apply. Consult MPSI for costs and lead times. Oil canning: Metal Panel Systems, Inc. purchases prime commercial grade light gauge metal which is manufactured to all industry accepted tolerances. "Oil canning" is an inherent part of light gauge cold formed panels and is not cause for rejection.

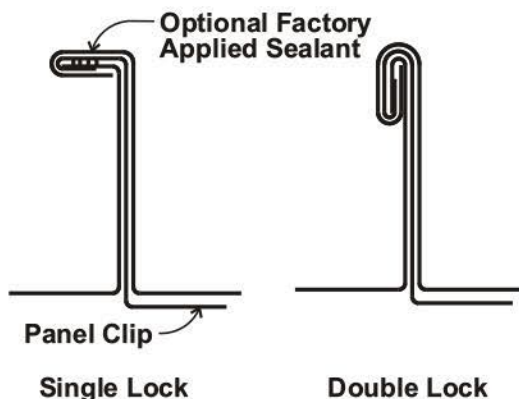
## Clip Options



## Optional Surface Patterns



## Optional Seamed Profiles



Refer to product installation instructions for additional information.