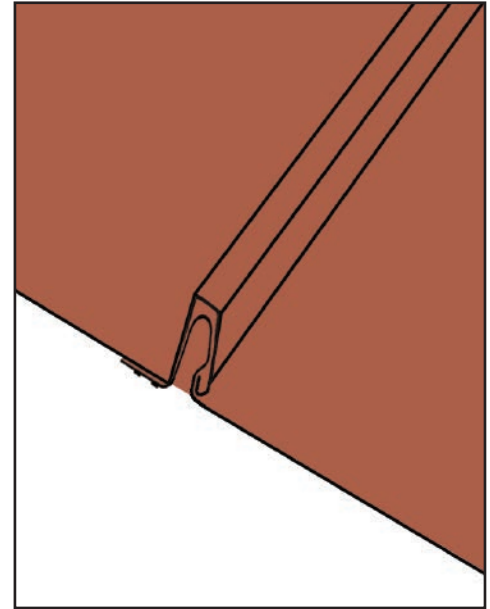
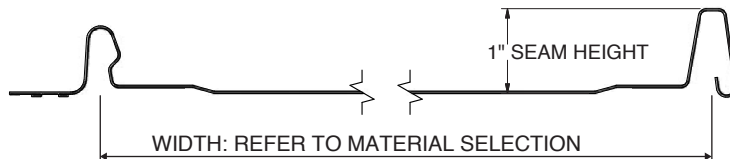


MPS NS-100 Panel (Nail-Strip)

- An architectural panel installed over solid substrate.
- Integral snap-lock design provides continuous interlock at sidelap.
- Applicable for roof slopes as low as 3:12. May also be utilized in vertical wall and fascia systems installations.
- Continuous panel lengths.
- Panels expand and contract freely.
- No clip required (fasteners only).
- Standard finish is silicone-modified polyester coating in 12 standard colors.
- 30 year manufacturer's standard finish warranty is included at no additional cost.
- Optional Kynar® finish (also manufacturer warranted) is available at additional cost.



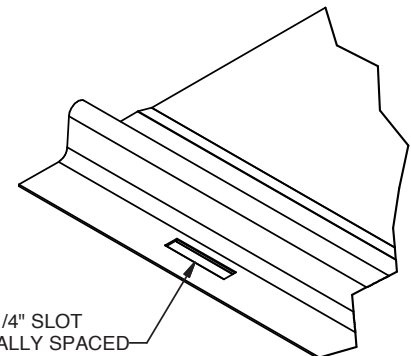
Panel Profile



MATERIAL	STANDARD WIDTH	OPTIONAL WIDTHS
Silicone-Modified Polyester Finish		
26 ga. Steel	16"	12" and 20"
Kynar® Finish		
24 ga. Steel	16"	12" and 20"
.032" Aluminum	16"	12" and 20"
Unfinished		
26 ga. Galvalume®	16"	12" and 20"
24 ga. Galvalume®	16"	12" and 20"
16 oz. Copper	16"	12" and 20"

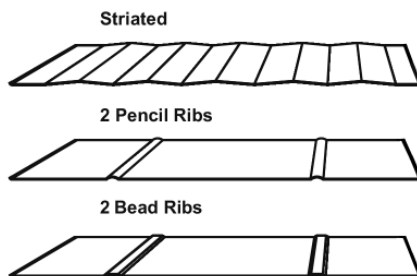
Optional widths require minimum quantities and slightly longer lead times.
 Oil canning: Metal Panel Systems, Inc. purchases prime commercial grade light gauge metal which is manufactured to all industry accepted tolerances. "Oil canning" is an inherent part of light gauge cold formed panels and is not cause for rejection.

Nail Strip Detail



1" x 1/4" SLOT
 EQUALLY SPACED
 EVERY 5-3/16".
 FASTENER REQUIRED EVERY THIRD SLOT.

Optional Surface Patterns



Seam Profile



9283 Sutton Place, West Chester, Ohio 45011-9705
 Tel: 800-554-6126, 513-554-6120 Fax: 513-554-6121
 www.metalpanelsystems.com
 info@metalpanelsystems.com