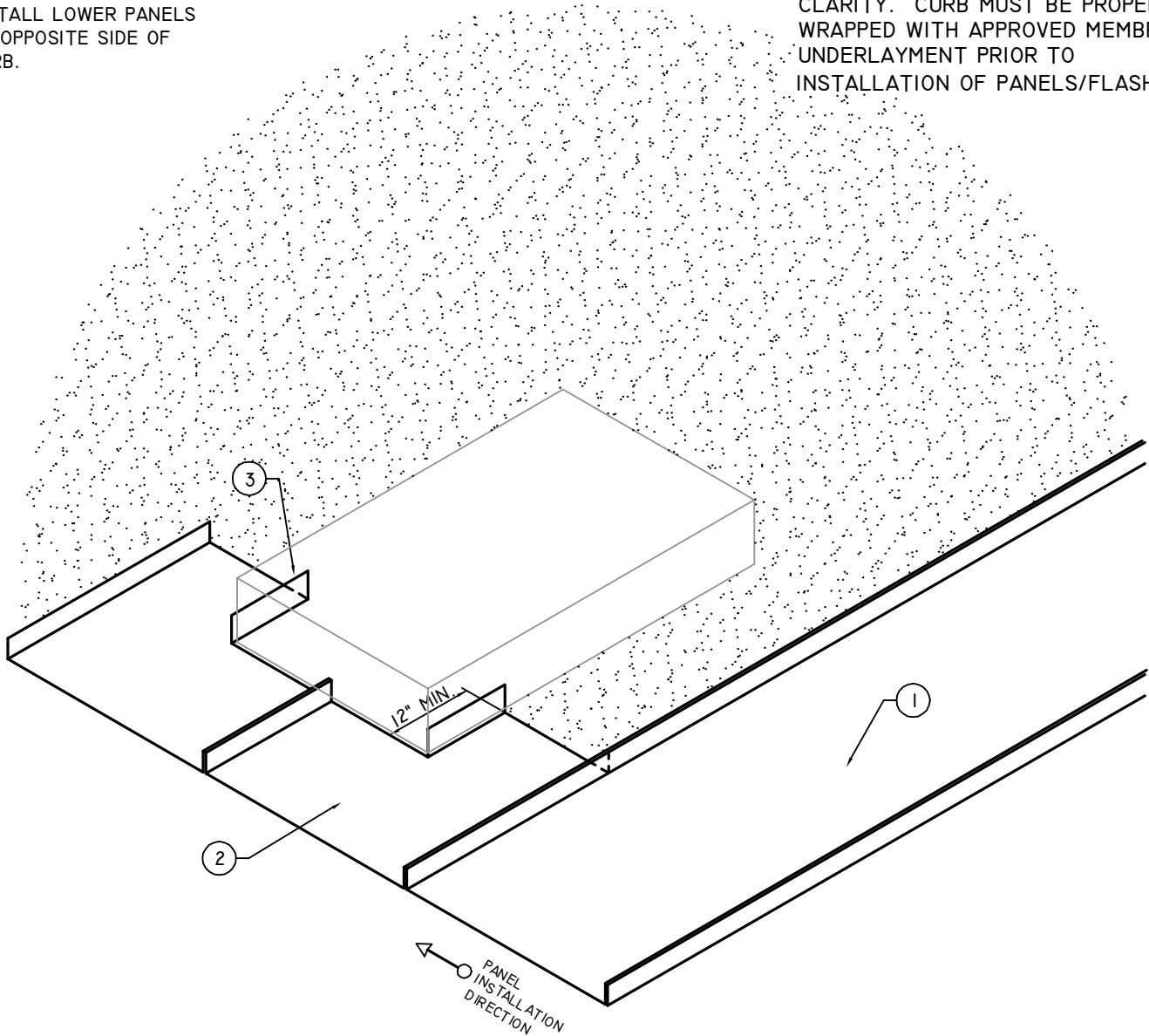


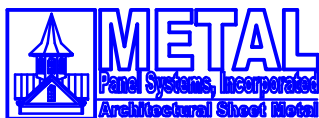
STEP 1

INSTALL LOWER PANELS
TO OPPOSITE SIDE OF
CURB.

NOTE: CURB FRAMING AND
UNDERLAYMENT NOT SHOWN FOR
CLARITY. CURB MUST BE PROPERLY
WRAPPED WITH APPROVED MEMBRANE
UNDERLAYMENT PRIOR TO
INSTALLATION OF PANELS/FLASHINGS.



1. LAST FULL ROOF PANEL BEFORE CURB
2. LOWER ROOF PANEL RUN MINIMUM 12" PAST LOW SIDE OF CURB
3. FIELD FORM VERTICAL LEGS ON LOWER PANELS AT SIDES OF CURB MINIMUM 2" TALL



Description:

SQUARE CURB DETAIL

Detail No.:

SL150-10.10PS

Substrate:

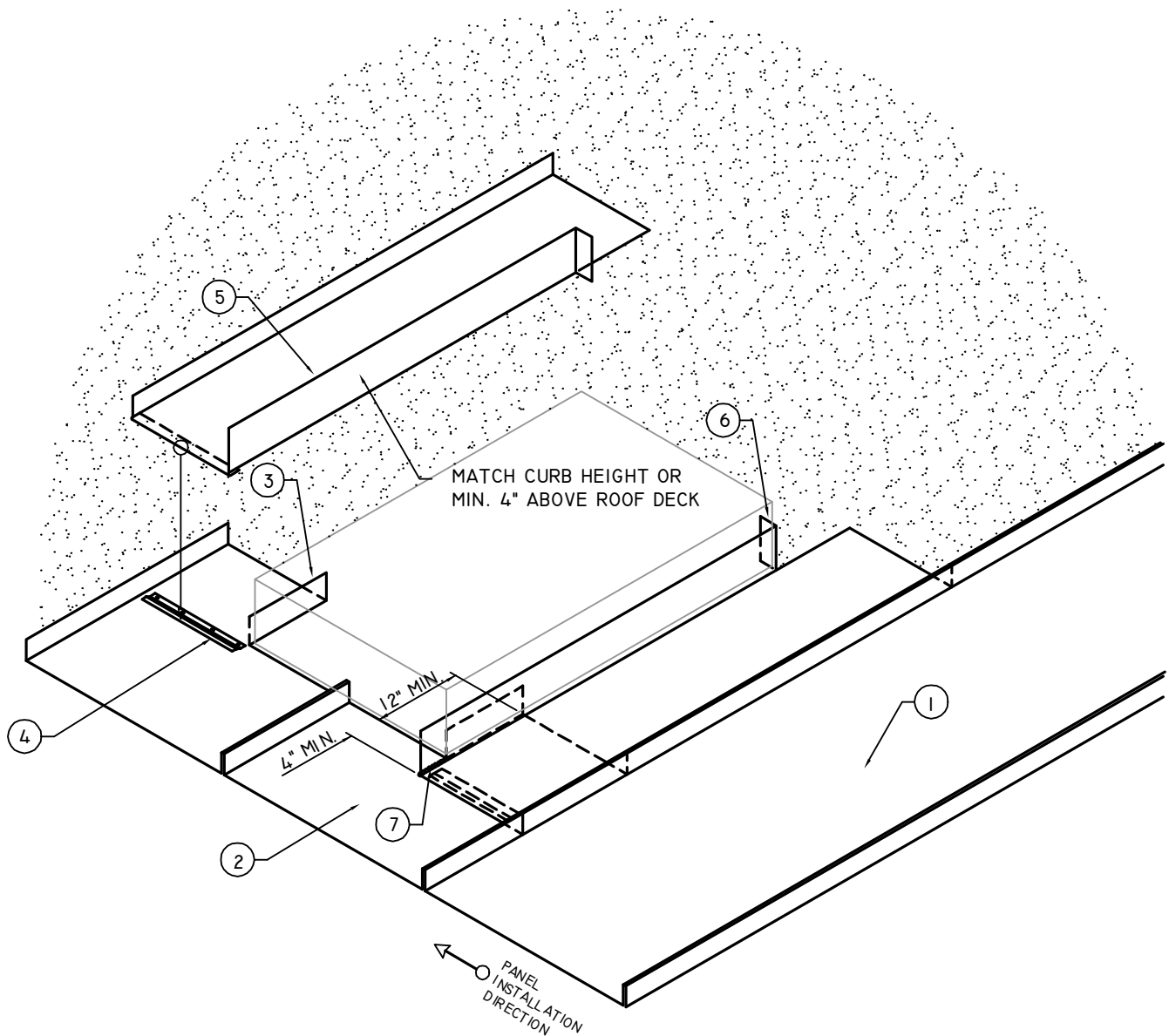
PLYWOOD SHEATHING

Date:

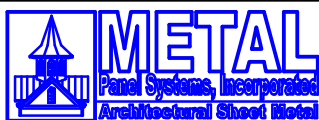
11/05/2008

STEP 2

INSTALL OFFSET CLEAT
AND SIDE PANELS.



1. LAST FULL ROOF PANEL BEFORE CURB
2. LOWER ROOF PANEL RUN MINIMUM 12" PAST LOW SIDE OF CURB
3. FIELD FORM VERTICAL LEGS ON LOWER PANELS AT SIDES OF CURB MINIMUM 2" TALL
4. CONTINUOUS OFFSET CLEAT SET IN BEAD OF APPROVE SEALANT. FASTEN CLEAT AT 8" ON CENTER MAXIMUM AND CAULK FASTENER HEADS.
5. INSTALL SIDE PANELS. VERTICAL LEGS AT CURB MUST MATCH CURB HEIGHT OR MINIMUM 4" ABOVE ROOF DECK.
6. TAB HIGH SIDE OF LEGS AROUND UPPER SIDE OF CURB MINIMUM 2".
7. INSTALL CONTINUOUS BEAD OF APPROVED SEALANT AT BACK OF SIDE PANEL LEG AND LOWER PANEL OVERLAP



Description:

SQUARE CURB DETAIL

Detail No.:

SL150-10.11PS

Substrate:

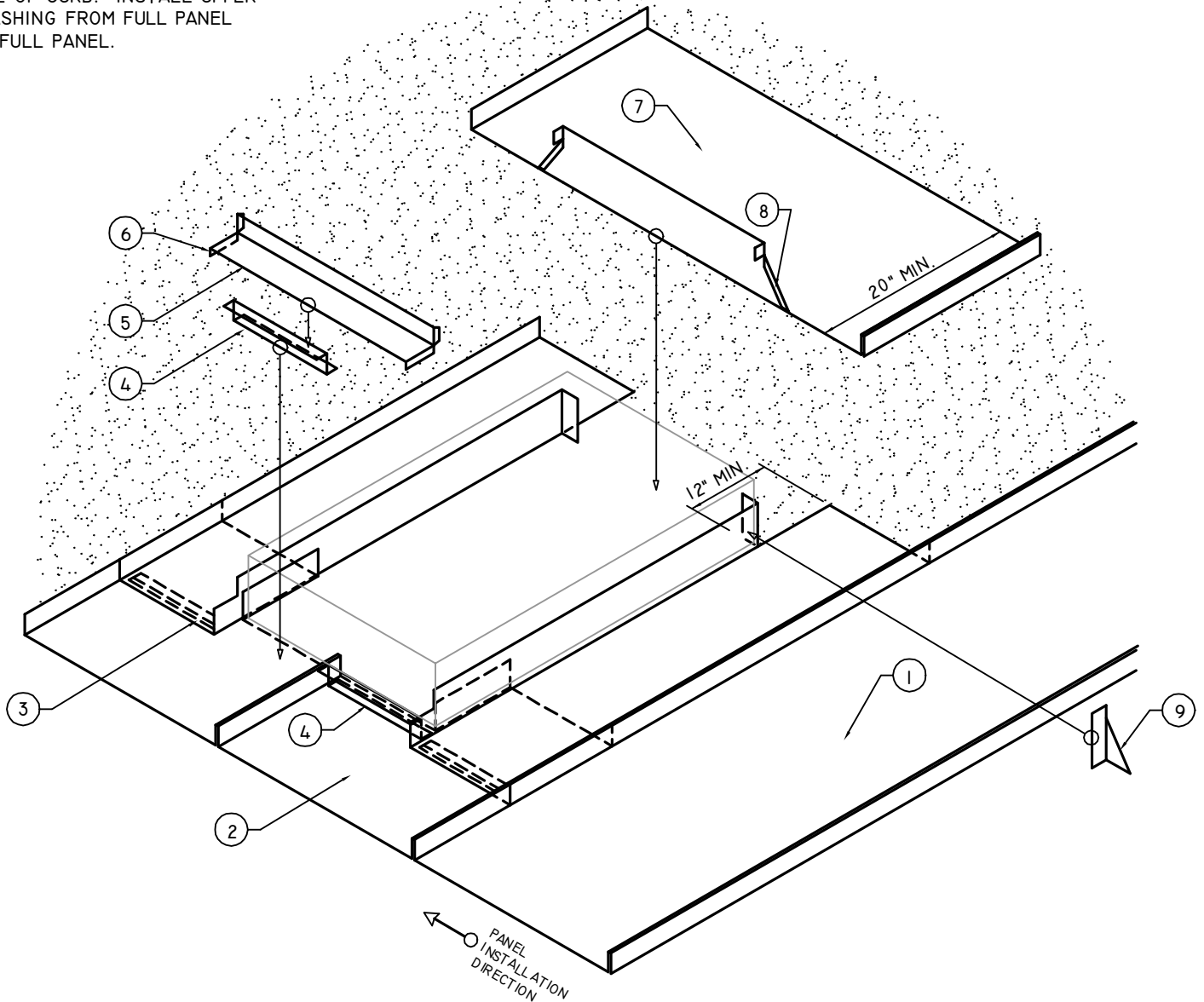
PLYWOOD SHEATHING

Date:

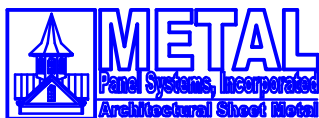
11/05/2008

STEP 3

INSTALL ZEE CLOSURES AND HIGHWALL FLASHING AT LOW SIDE OF CURB. INSTALL UPPER FLASHING FROM FULL PANEL TO FULL PANEL.



1. LAST FULL ROOF PANEL BEFORE CURB
2. LOWER ROOF PANEL RUN MINIMUM 12" PAST LOW SIDE OF CURB
3. SIDE PANEL HEMMED ONTO OFFSET CLEAT
4. INSTALL ZEE CLOSURES BETWEEN PANEL LEGS AND INSTALL IN CONTINUOUS BEAD OF APPROVED SEALANT. FASTEN AT 4" ON CENTER OR MINIMUM 2 FASTENERS. INSTALL BEAD OF SEALANT UP VERTICAL LEGS OF ZEES ADJACENT TO PANEL LEGS.
5. INSTALL HIGHWALL FLASHING ONTO ZEE CLOSURES AND RIVET AT 8" ON CENTER TO TOP OF ZEE CLOSURE.
6. TAB SIDES OF HIGHWALL FLASHING MINIMUM 1". INSERT VERTICAL TAB BEHIND SIDE PANEL LEG AND BASE TAB DOWN IN FRONT OF SIDE PANEL LEG.
7. FABRICATE UPPER SIDE CURB FLASHING AS SHOWN.
8. ANGLED EXTENSIONS. FOLD TOP OF ANGLE OVER 1/2" TO ACCEPT CORNER TRIM
9. CORNER TRIM, SET IN BED OF SEALANT AND RIVET TO SIDE PANEL LEG



Description:

SQUARE CURB DETAIL

Detail No.:

SL150-10.12PS

Substrate:

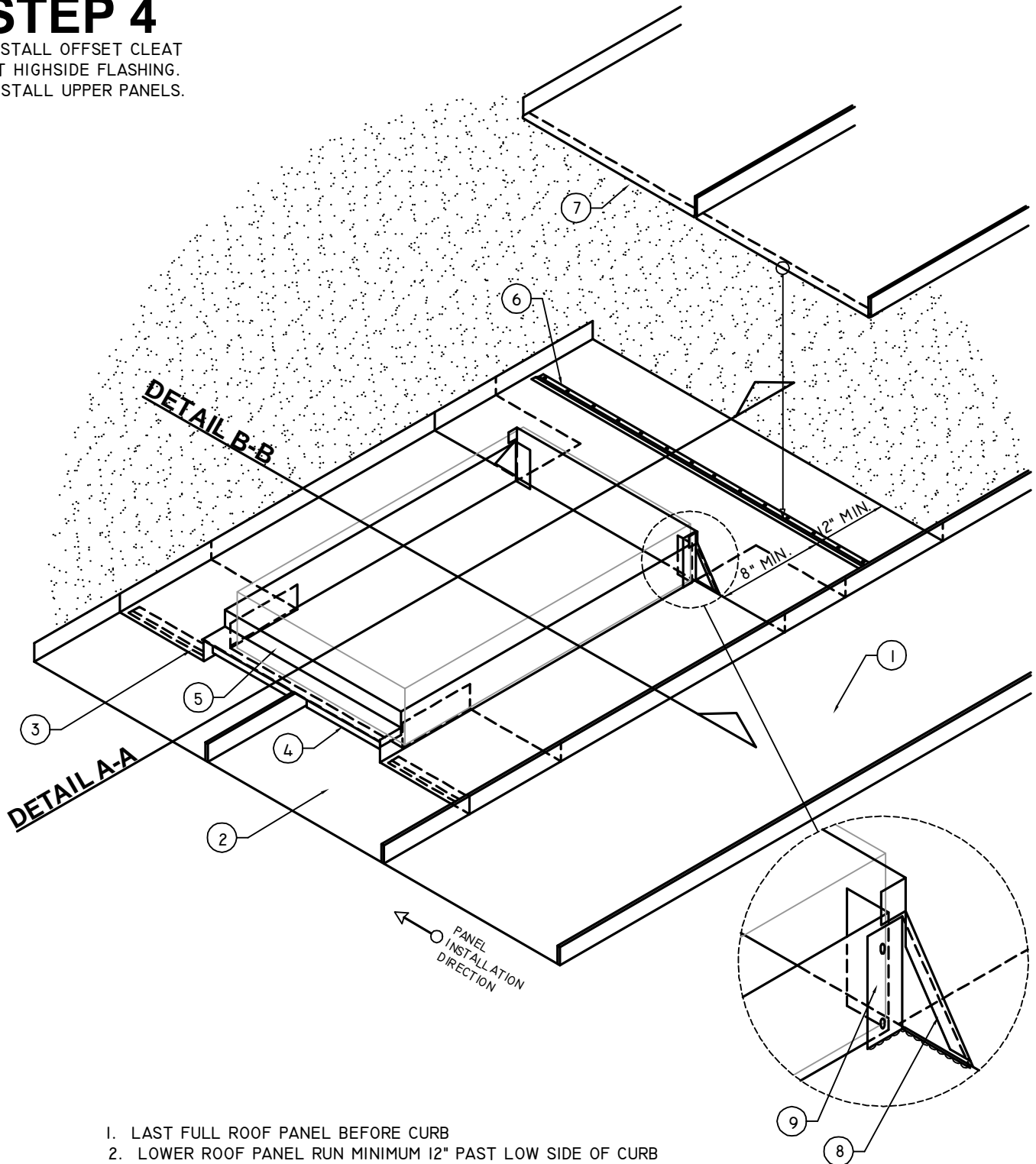
PLYWOOD SHEATHING

Date:

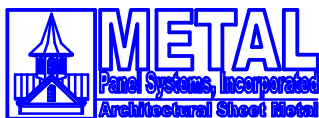
11/05/2008

STEP 4

INSTALL OFFSET CLEAT
AT HIGHSIDE FLASHING.
INSTALL UPPER PANELS.



1. LAST FULL ROOF PANEL BEFORE CURB
2. LOWER ROOF PANEL RUN MINIMUM 12" PAST LOW SIDE OF CURB
3. SIDE PANEL HEMMED ONTO OFFSET CLEAT
4. INSTALL ZEE CLOSURES BETWEEN PANEL LEGS AND INSTALL IN CONTINUOUS BEAD OF APPROVED SEALANT. FASTEN AT 4" ON CENTER OR MINIMUM 2 FASTENERS. INSTALL BEAD OF SEALANT UP VERTICAL LEGS OF ZEES ADJACENT TO PANEL LEGS.
5. INSTALL HIGHWALL FLASHING ONTO ZEE CLOSURES AND RIVET AT 8" ON CENTER TO TOP OF ZEE CLOSURE.
6. CONTINUOUS OFFSET CLEAT SET IN BEAD OF APPROVED SEALANT. FASTEN AT 8" ON CENTER.
7. INSTALL UPPER ROOF PANELS. HEM ONTO OFFSET CLEAT CONTINUOUS.
8. ANGLED EXTENSIONS. FOLD TOP OF ANGLE OVER 1/2" TO ACCEPT CORNER TRIM
9. CORNER TRIM, SET IN BED OF APPROVED SEALANT AND RIVET TO SIDE PANEL LEG



Description:

SQUARE CURB DETAIL

Detail No.:

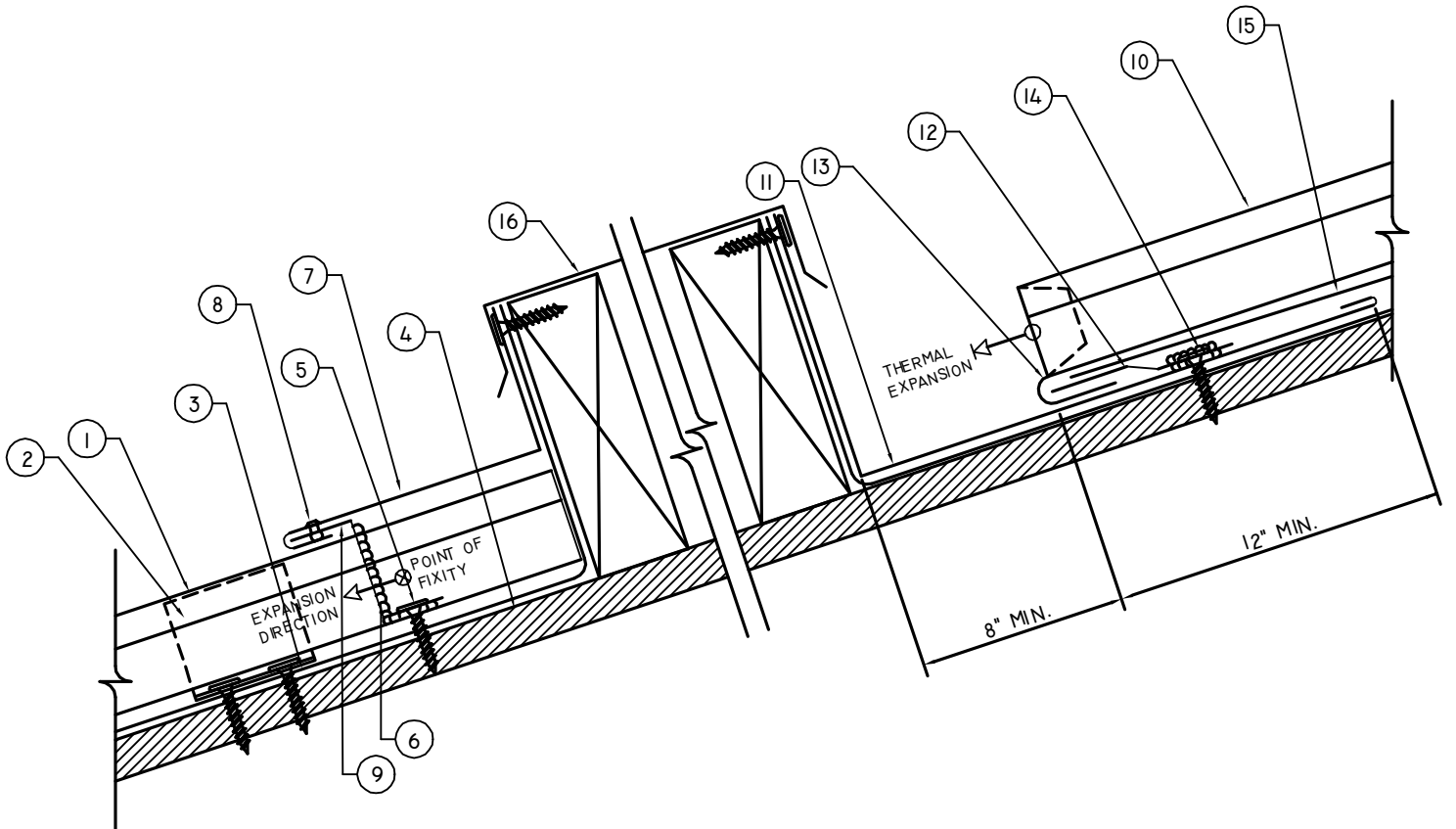
SL150-10.13PS

Substrate:

PLYWOOD SHEATHING

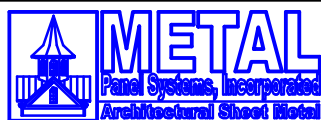
Date:

11/05/2008



CURB SECTION A-A

1. LOWER ROOF PANEL
2. PANEL CLIP WITH SCREWS AT REQUIRED SPACING
3. SINGLE LAYER OF APPROVED MEMBRANE UNDERLAYMENT
4. PLYWOOD SUBSTRATE
5. 10-9x1" ULP PANCAKE HEAD WOOD SCREW. INSTALL MIN. 2 PER ZEE OR 4" ON CENTER
6. CONTINUOUS BEAD OF APPROVED SEALANT ADJACENT TO PANEL RIBS AND UNDER ZEE CLOSURE
7. HIGHWALL FLASHING, 4" END LAPS WITH CONTINUOUS APPROVED SEALANT AT LAPS
8. 1/8" X 1/4" STAINLESS POP RIVET (PAINTED TO MATCH) 30" ON CENTER TYPICAL
9. ZEE CLOSURE, FIELD CUT TO FIT TIGHT BETWEEN PANEL RIBS
10. UPPER ROOF PANEL
11. UPPER SIDE CURB FLASHING
12. CONTINUOUS OFFSET CLEAT SET IN APPROVED SEALANT. FASTEN AT 8" ON CENTER.
13. HEM UPPER PANELS AROUND OFFSET CLEAT MINIMUM 3/4".
14. 10-9x1" ULP PANCAKE HEAD WOOD SCREW. COVER SCREW HEADS WITH SEALANT.
15. STRIP IN UPP SIDE CURB FLASHING WITH ADDITIONAL COURSE OF APPROVED MEMBRANE UNDERLAYMENT.
16. CURB COVER FLASHING (CONDITIONS VARY)



Description:

SQUARE CURB DETAIL

Detail No.:

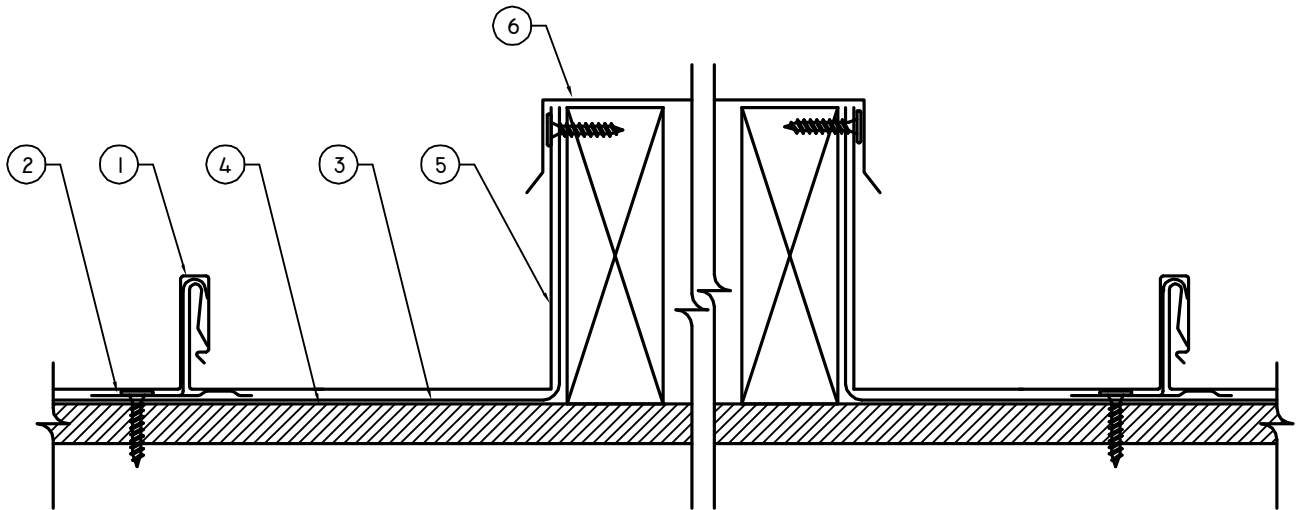
SL150-10.14PS

Substrate:

PLYWOOD SHEATHING

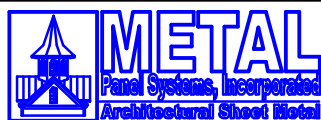
Date:

11/05/2008



CURB SECTION B-B

1. ROOF PANEL SEAM
2. PANEL CLIP WITH SCREWS AT REQUIRED SPACING
3. SINGLE LAYER OF APPROVED MEMBRANE UNDERLAYMENT. TURN UP SIDES OF CURB.
4. PLYWOOD SUBSTRATE
5. SIDE PANELS. FORM VERTICAL LEG AT CURB TO MATCH CURB HEIGHT OR A MINIMUM 4" ABOVE ROOF DECK.
6. CURB COVER FLASHING (CONDITIONS VARY)



Description:

SQUARE CURB DETAIL

Detail No.:

SL150-10.15PS

Substrate:

PLYWOOD SHEATHING

Date:

11/05/2008