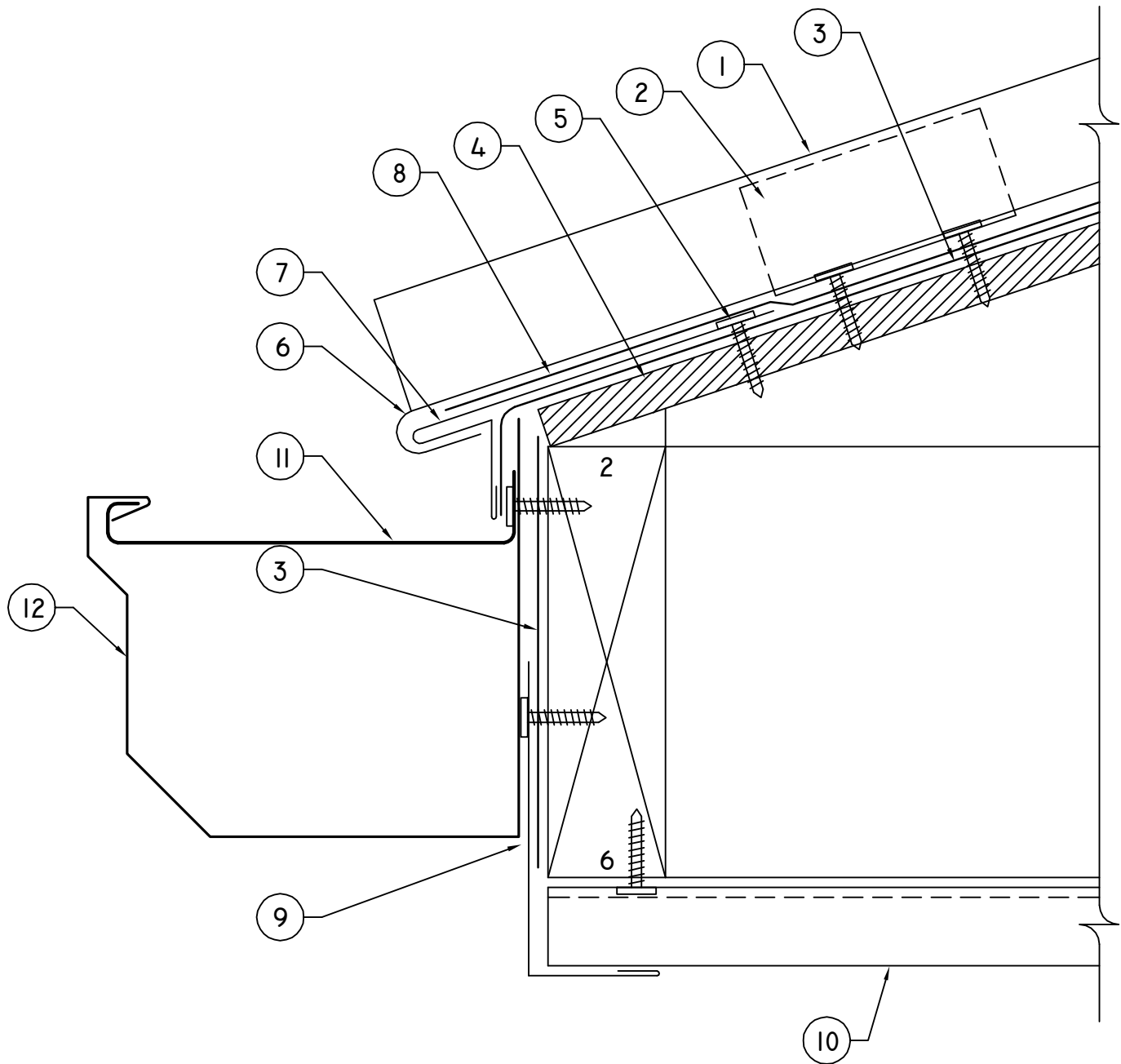


PLYWOOD SHEATHING

EAVE WITH GUTTER



- 1 ROOF PANEL
- 2 PANEL CLIP WITH FASTENER. INSTALL 2 CLIPS AT EAVE TYPICAL
- 3 ONE LAYER OF 30 LB. FELT
- 4 PLYWOOD SHEATHING
- 5 10x1" PANCAKE HEAD WOOD SCREW, INSTALL 12" O.C. STAGGERED
- 6 CUT BACK VERTICAL LEGS AND FIELD FORM PANEL AROUND DRIP EDGE
- 7 DRIP EDGE, 4" END LAPS WITH CONT. CAULK AT LAPS
- 8 STRIP IN DRIP EDGE WITH ADDITIONAL COURSE OF 30 LB. FELT
- 9 FASCIA COVER, 4" END LAPS WITH CONT. CAULK AT LAPS
- 10 SOFFIT PANEL (ADDITIONAL SOFFIT FRAMING MAY BE REQUIRED)
- 11 GUTTER STRAP AT 24" O.C. TYPICAL
- 12 GUTTER, RIVET AND SEAL AT JOINTS

Metal Panel Systems, Inc.

CINCINNATI, OHIO 800-554-6126 513-554-6120 Fax 513-554-6121

DETAILS AND INSTRUCTIONS SUBJECT TO CHANGE WITHOUT NOTICE. CONTACT MPSI FOR SPECIFIC PROJECT DETAILS.

G102-GPS

07/2001