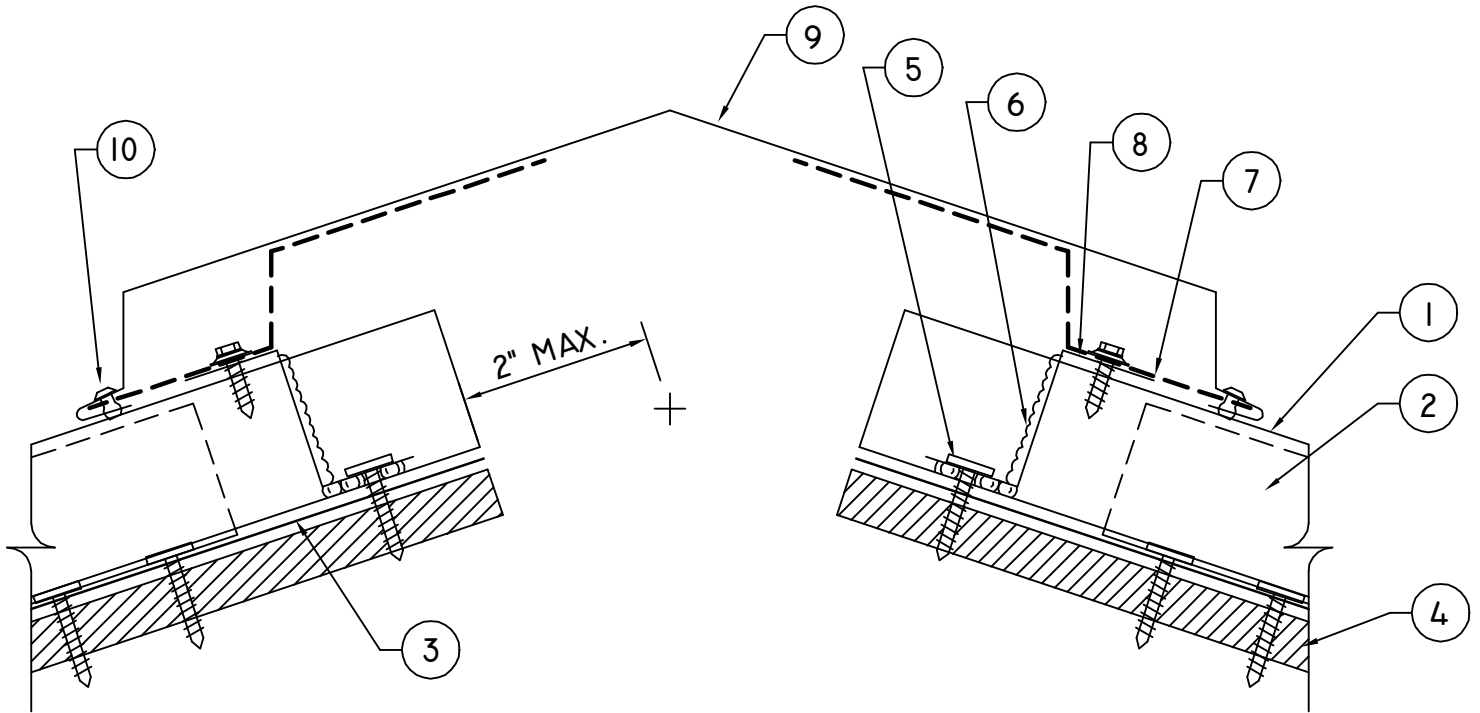


VENTED RIDGE

PLYWOOD SHEATHING



- 1 ROOF PANEL
- 2 PANEL CLIP WITH FASTENER
- 3 ONE LAYER OF 30 LB. FELT
- 4 PLYWOOD SHEATHING
- 5 10x1" PANCAKE HEAD WOOD SCREW, USE 2 PER ZEE CLOSURE
- 6 CONTINUOUS BEAD OF SEALANT UP VERTICAL LEG OF ZEE CLOSURE
- 7 CONTINUOUS 20 GA. PERFORATED VENT MATERIAL
- 8 ZEE CLOSURE BETWEEN PANEL LEGS, SET IN CONT. BEAD OF SEALANT
- 9 RIDGE/HIP COVER, LAP ENDS MIN. 4" AND USE CONT. CAULK AT LAP
- 10 POP RIVET AT 12" O.C. TYPICAL

G202-PS
07/2001

Metal Panel Systems, Inc.

CINCINNATI, OHIO 800-554-6126 513-554-6120 Fax 513-554-6121
DETAILS AND INSTRUCTIONS SUBJECT TO CHANGE WITHOUT NOTICE. CONTACT MPSI FOR SPECIFIC PROJECT DETAILS.