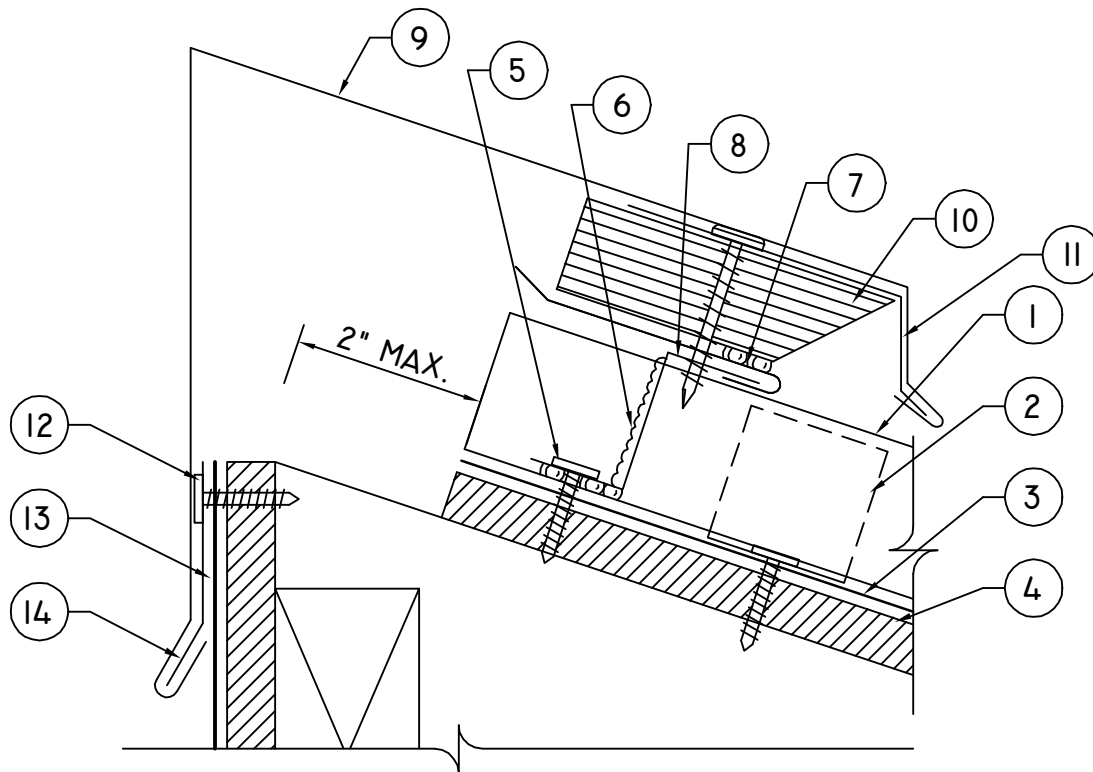


# VENTED PEAK DETAIL

PLYWOOD SHEATHING



- 1 ROOF PANEL
- 2 PANEL CLIP WITH FASTENER
- 3 ONE LAYER OF 30 LB. FELT
- 4 PLYWOOD SHEATHING
- 5 10x1" PANCAKE HEAD WOOD SCREW, USE 2 PER ZEE CLOSURE
- 6 CONTINUOUS BEAD OF SEALANT UP VERTICAL LEG OF ZEE CLOSURE
- 7 CONTINUOUS BEAD OF SEALANT BETWEEN BRIDGE FLASHING AND VENT MATRL.
- 8 ZEE CLOSURE BETWEEN PANEL LEGS, SET IN CONT. BEAD OF SEALANT
- 9 PEAK CAP, LAP ENDS MIN. 4" AND USE CONT. CAULK AT LAP
- 10 CONTINUOUS VENT MATERIAL (1" THICK x 4'-0" LENGTHS)
- 11 CONTINUOUS VENTED PEAK CLEAT WITH 1-5/8" FASTENER AT 16" O.C.
- 12 10x1" PANCAKE WOOD SCREW INSTALLED AT 12" O.C.
- 13 MEMBRANE ROOFING
- 14 CONTINUOUS CLEAT