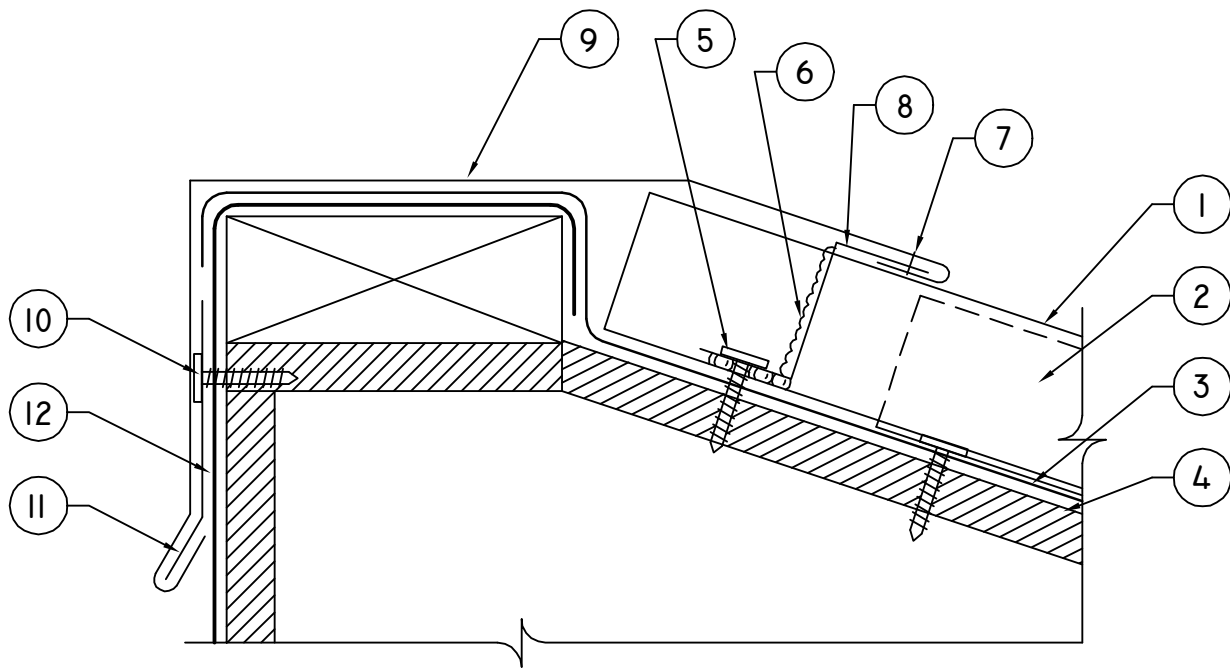


# PEAK DETAIL

PLYWOOD SHEATHING



- 1 ROOF PANEL
- 2 PANEL CLIP WITH FASTENER
- 3 ONE LAYER OF 30 LB. FELT
- 4 PLYWOOD SHEATHING
- 5 10x1" PANCAKE HEAD WOOD SCREW, USE 2 PER ZEE CLOSURE
- 6 CONTINUOUS BEAD OF SEALANT UP VERTICAL LEG OF ZEE CLOSURE
- 7 PAINTED POP RIVET, 40" O.C. TYPICAL
- 8 ZEE CLOSURE BETWEEN PANEL LEGS, SET IN CONT. BEAD OF SEALANT
- 9 PEAK CAP, LAP ENDS MIN. 4" AND USE CONT. CAULK AT LAP
- 10 10x1" PANCAKE HEAD WOOD SCREW AT 12" O.C. STAGGERED
- 11 CONTINUOUS CLEAT
- 12 MEMBRANE ROOFING