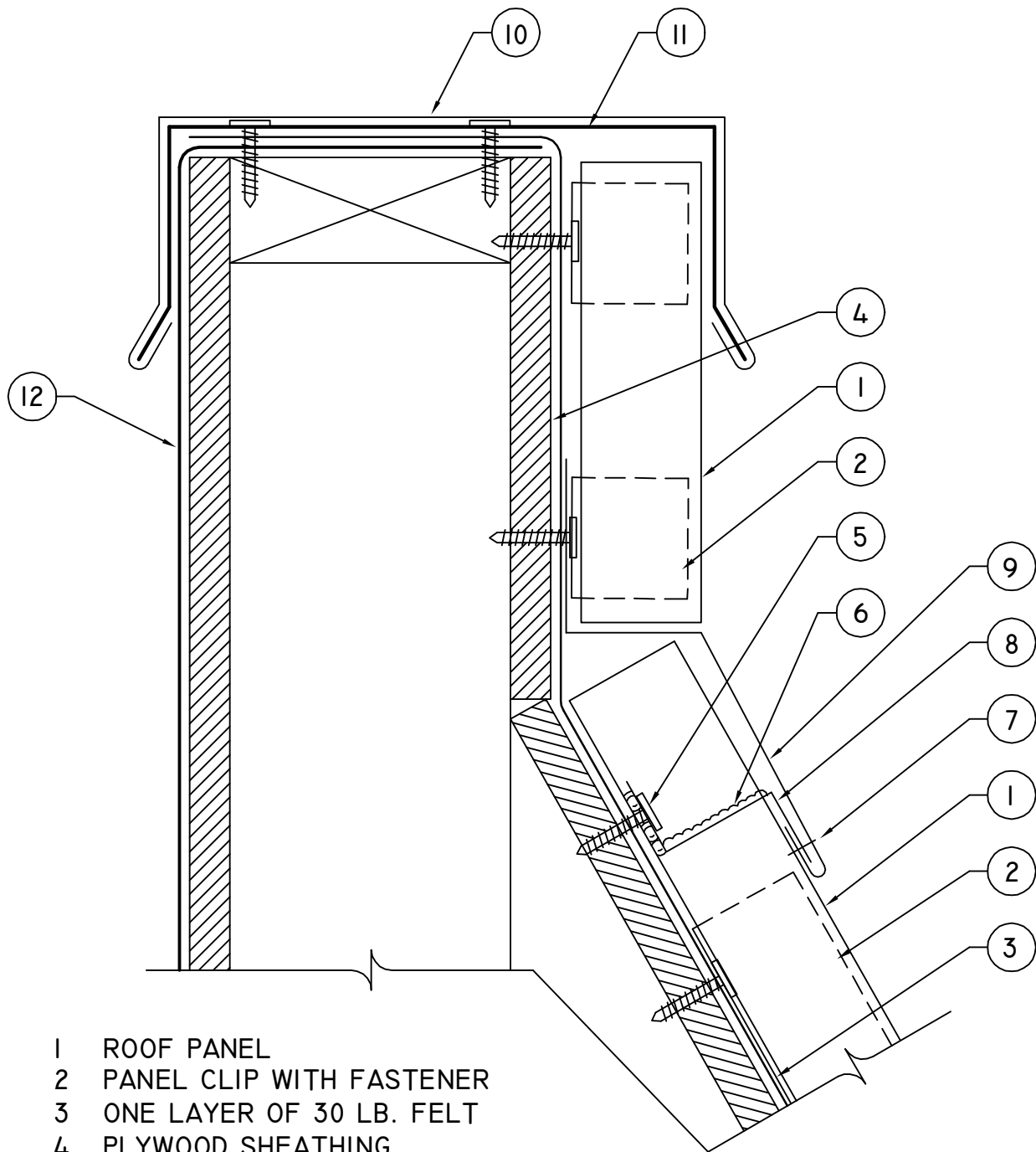


PEAK DETAIL

PLYWOOD SHEATHING



- 1 ROOF PANEL
- 2 PANEL CLIP WITH FASTENER
- 3 ONE LAYER OF 30 LB. FELT
- 4 PLYWOOD SHEATHING
- 5 10x1" PANCAKE HEAD WOOD SCREW, USE 2 PER ZEE CLOSURE
- 6 CONTINUOUS BEAD OF SEALANT UP VERTICAL LEG OF ZEE CLOSURE
- 7 PAINTED POP RIVET, 40" O.C. TYPICAL
- 8 ZEE CLOSURE BETWEEN PANEL LEGS, SET IN CONT. BEAD OF SEALANT
- 9 HIGHWALL FLASHING, 4" END LAPS WITH CONT. CAULK AT LAPS
- 10 MOC2 COPING SYSTEM WITH SPLICE PLATES AT BUTT JOINTS
- 11 12" x 20 GA. GALVANIZED ANCHOR PLATE AT 5'-0" O.C. TYPICAL
- 12 MEMBRANE ROOFING