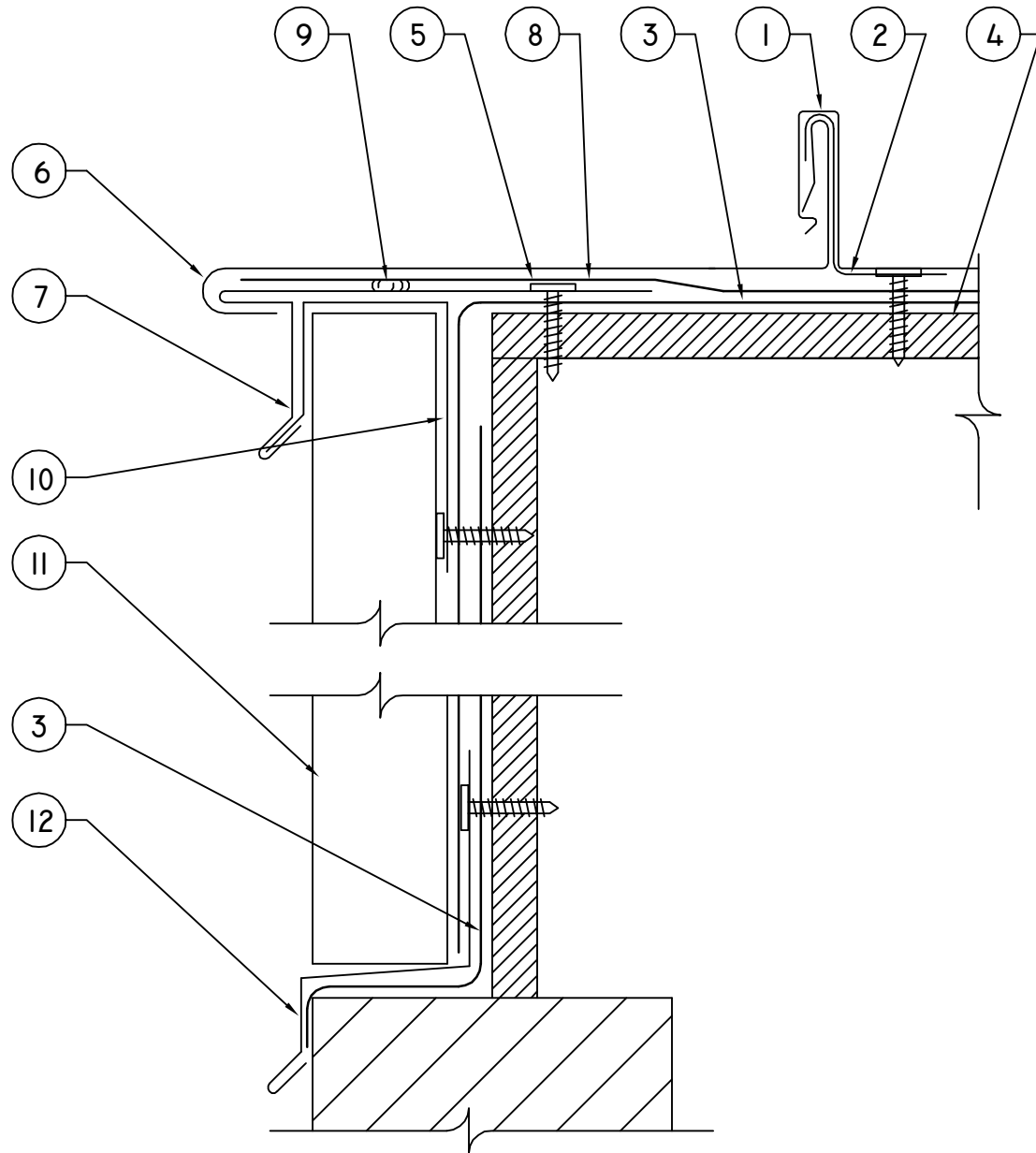


# GABLE DETAIL

PLYWOOD SHEATHING



- 1 ROOF PANEL
- 2 PANEL CLIP WITH FASTENER
- 3 ONE LAYER OF 30 LB. FELT
- 4 PLYWOOD SHEATHING
- 5 10x1" PANCAKE HEAD WOOD SCREW, INSTALL 12" O.C. STAGGERED
- 6 REMOVE PANEL LEG AND FIELD FORM PANEL AROUND GABLE EDGE
- 7 GABLE EDGE, 4" END LAPS WITH CONT. CAULK AT LAPS
- 8 STRIP IN GABLE EDGE WITH ADDITIONAL COURSE OF 30 LB. FELT
- 9 CONTINUOUS LAYER OF SEALANT BETWEEN FELT AND GABLE EDGE
- 10 CONTINUOUS J-CLEAT, FASTENED AT 20" O.C.
- 11 VERTICAL FASCIA PANEL
- 12 SILL TRIM, 4" END LAPS WITH CONT. CAULK AT LAPS

G605-PS  
07/2001

**Metal Panel Systems, Inc.**

CINCINNATI, OHIO 800-554-6126 513-554-6120 Fax 513-554-6121  
DETAILS AND INSTRUCTIONS SUBJECT TO CHANGE WITHOUT NOTICE. CONTACT MPSI FOR SPECIFIC PROJECT DETAILS.