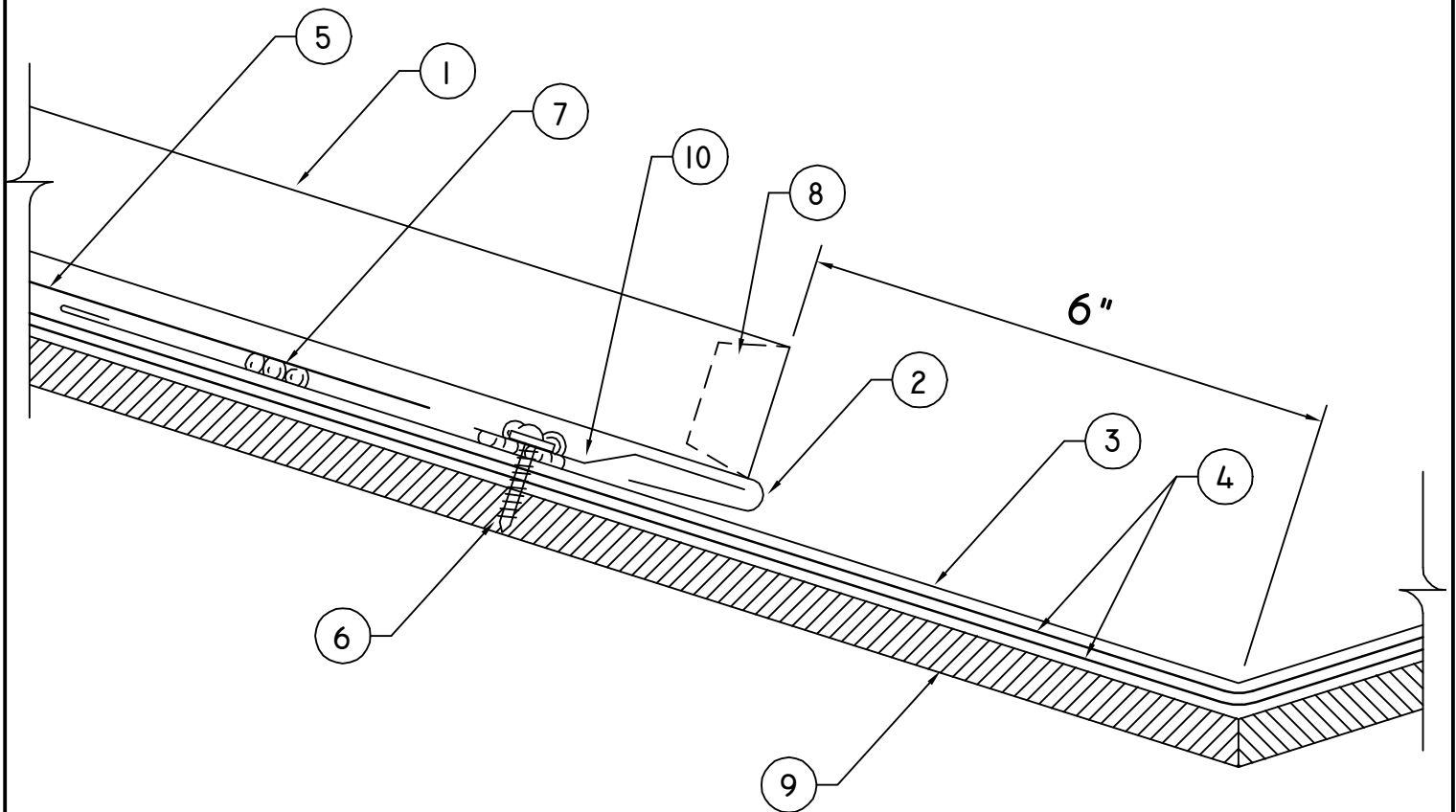


# VALLEY DETAIL

PLYWOOD SHEATHING



- 1 ROOF PANEL
- 2 CUT BACK PANEL LEG AND FORM AROUND ONE-PIECE VALLEY OFFSET HEM
- 3 VALLEY FLASHING, 12" END LAPS WITH DOUBLE ROW OF CONT. CAULK AT LAPS
- 4 DOUBLE LAYER OF 30 LB. FELT INSTALL LENGTH OF VALLEY
- 5 STRIP IN VALLEY FLSG. WITH FIELD COURSES OF 30 LB. FELT AND SEAL
- 6 10x1" PANCAKE HEAD WOOD SCREW, 24" O.C. WITH CAULK OVER FASTENER HEAD
- 7 CONTINUOUS BEAD OF SEALANT BETWEEN FELT AND VALLEY FLASHING
- 8 FOLD END OF PANEL SEAM AROUND IN DIRECTION OF SLOPE
- 9 PLYWOOD SHEATHING
- 10 CONTINUOUS OFFSET CLEAT

G701-PS  
07/2001

**Metal Panel Systems, Inc.**

CINCINNATI, OHIO 800-554-6126 513-554-6120 Fax 513-554-6121  
DETAILS AND INSTRUCTIONS SUBJECT TO CHANGE WITHOUT NOTICE. CONTACT MPSI FOR SPECIFIC PROJECT DETAILS.