



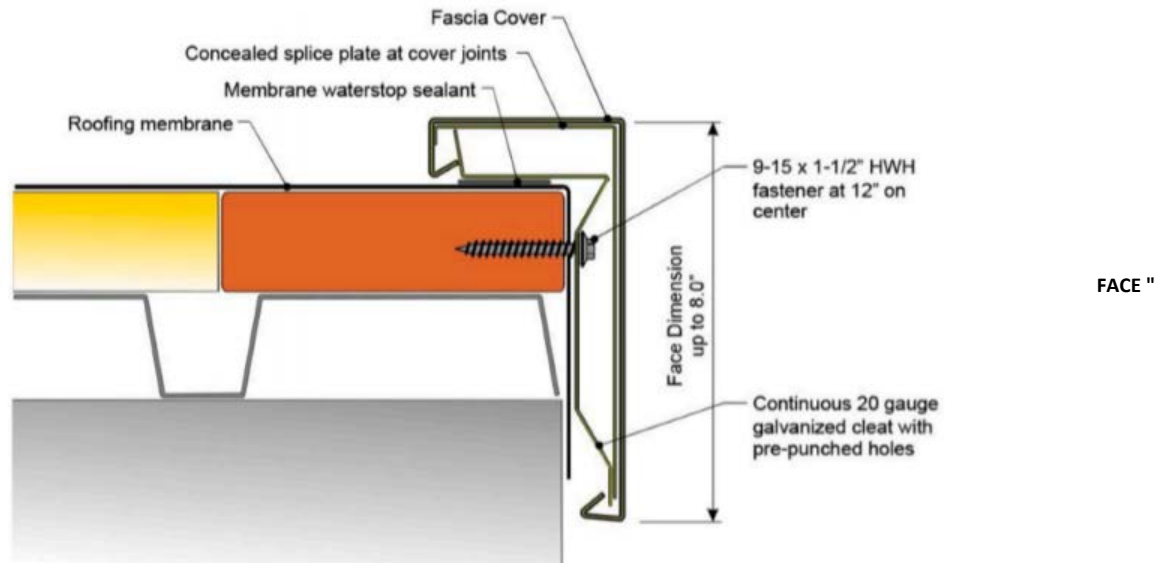
METAL
Panel Systems
 Architectural Sheet Metal

Project Name:
Installing Contractor:
General Contractor:
Architect:
Phone/Email:

EDGE SHIELD FASCIA SYSTEM



ES-1 TESTED



MATERIALS & COLORS

- 24 Ga. Steel
- 22 Ga. Steel
- .032" Aluminum
- .040" Aluminum
- .050" Aluminum
- .063 Aluminum
- 24 Ga. Stainless Steel

*Contact MPS for additional available colors

ACCESSORIES

- Inside Corners:**
- Outside Corners:**
- End Cap - Right:**
- End Cap - Left:**
- End Term Right:**
- End Term Left:**
- Special Corners:**
- *Other:**

*ATTACH DRAWING FOR SPECIAL ITEMS

FINISH

- Standard Kynar 500 Colors (see color chart for availability)
- Plain galvanized steel "Paintgrip"
- Mill finish aluminum
- Anodized aluminum
- 2B finish stainless

- * FOR SINGLE-PLY ROOFING SYSTEMS
- * INSTALLATION WITH CONTINUOUS 20 GA. GALVANIZED CLEAT
- * PRE-PUNCHED HOLES FOR PROPER FASTENER PLACEMENT
- * CONCEALED SPLICE PLATES
- * 35 YEAR FINISH WARRANTY
- * STANDARD KYNAR 500 FINISH
- * PREMIUM COLORS INCUR ADDITIONAL COST



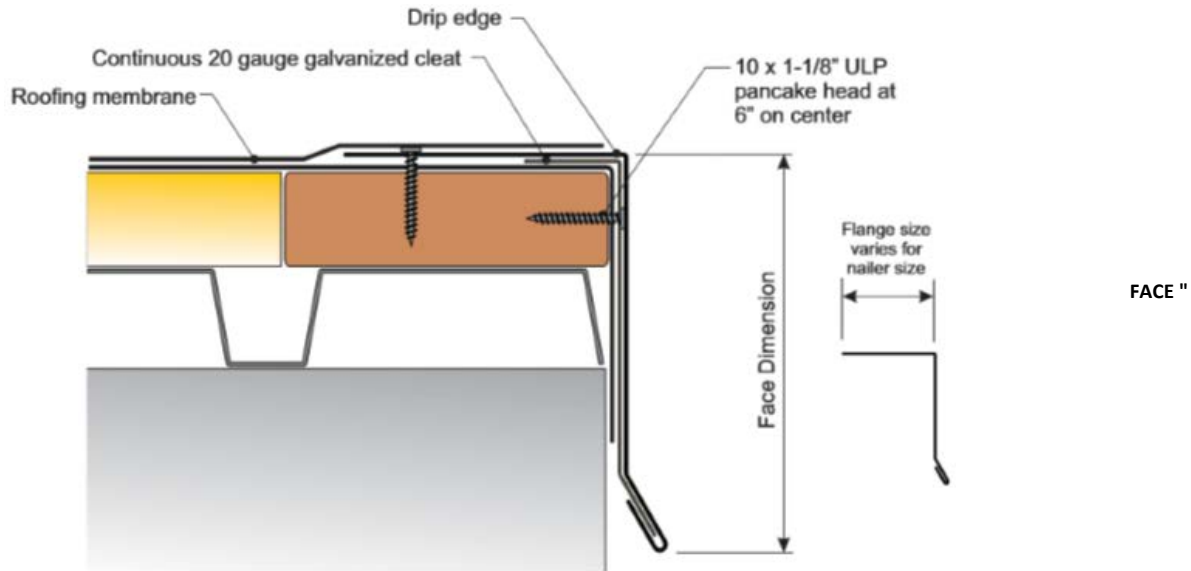
METAL
Panel Systems
 Architectural Sheet Metal

Project Name:
Installing Contractor:
General Contractor:
Architect:
Phone/Email:

EDGE SHIELD DRIP EDGE



ES-1 TESTED



MATERIALS & COLORS

- 24 Ga. Steel
- 22 Ga. Steel
- .032" Aluminum
- .040" Aluminum
- .050" Aluminum
- .063 Aluminum
- 24 Ga. Stainless Steel

*Contact MPS for additional available colors

ACCESSORIES

- Inside Corners:**
- Outside Corners:**
- End Cap - Right:**
- End Cap - Left:**
- End Term Right:**
- End Term Left:**
- Special Corners:**
- *Other:**

*ATTACH DRAWING FOR SPECIAL ITEMS

FINISH

- Standard Kynar 500 Colors (see color chart for availability)
- Plain galvanized steel "Paintgrip"
- Mill finish aluminum
- Anodized aluminum
- 2B finish stainless

- * APPLICABLE WITH MOST ROOFING SYSTEMS
- * INSTALLATION WITH CONTINUOUS 20 GA. GALVANIZED CLEAT
- * PRE-PUNCHED HOLES FOR PROPER FASTENER PLACEMENT
- * CONCEALED SPLICE PLATES (OPTIONAL)
- * 35 YEAR FINISH WARRANTY
- * STANDARD KYNAR FINISH
- * PREMIUM COLORS INCUR ADDITIONAL COST



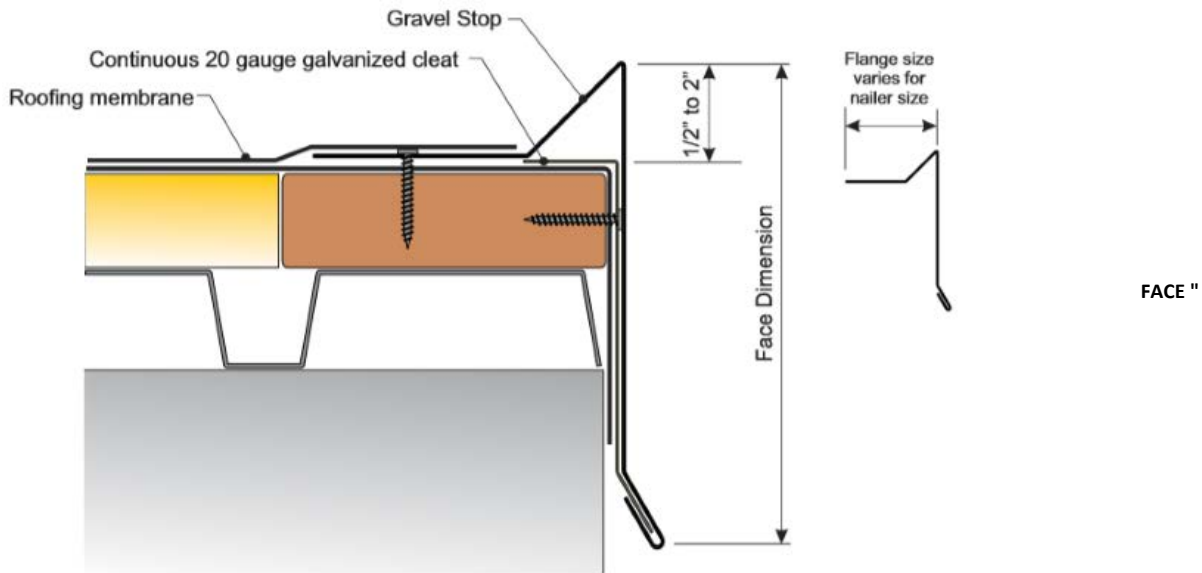
METAL
Panel Systems
Architectural Sheet Metal

Project Name:
Installing Contractor:
General Contractor:
Architect:
Phone/Email:

EDGE SHIELD GRAVEL STOP



ES-1 TESTED



MATERIALS & COLORS

- 24 Ga. Steel
- 22 Ga. Steel
- .032" Aluminum
- .040" Aluminum
- .050" Aluminum
- .063 Aluminum
- 24 Ga. Stainless Steel

*Contact MPS for additional available colors

ACCESSORIES

- Inside Corners:**
- Outside Corners:**
- End Cap - Right:**
- End Cap - Left:**
- End Term Right:**
- End Term Left:**
- Special Corners:**
- *Other:**

*ATTACH DRAWING FOR SPECIAL ITEMS

FINISH

- Standard Kynar 500 Colors (see color chart for availability)
- Plain galvanized steel "Paintgrip"
- Mill finish aluminum
- Anodized aluminum
- 2B finish stainless

- * APPLICABLE WITH MOST ROOFING SYSTEMS
- * INSTALLATION WITH CONTINUOUS 20 GA. GALVANIZED CLEAT
- * PRE-PUNCHED HOLES FOR PROPER FASTENER PLACEMENT
- * CONCEALED SPLICE PLATES (OPTIONAL)
- * 35 YEAR FINISH WARRANTY
- * STANDARD PVDF FLUOROPOLYMER FINISH
- * PREMIUM COLORS INCUR ADDITIONAL COST



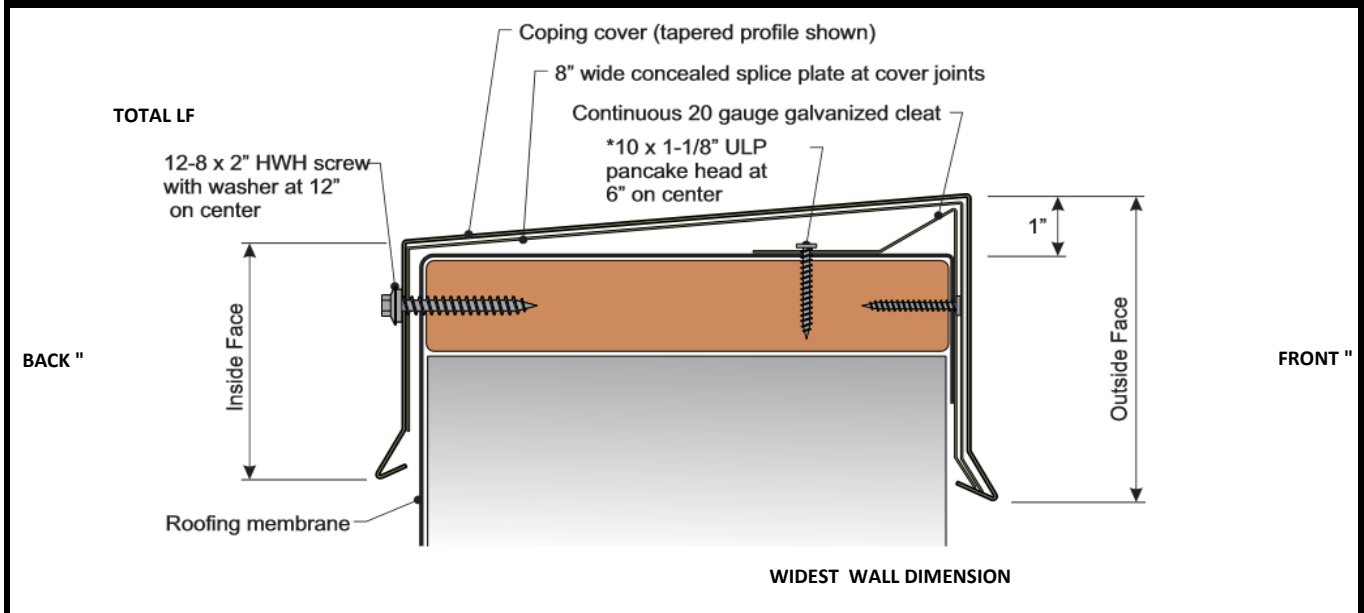
METAL
Panel Systems
 Architectural Sheet Metal

Project Name:
 Installing Contractor:
 General Contractor:
 Architect:
 Phone/Email:

MOC1 COPING SYSTEM



ES-1 TESTED



MATERIALS & COLORS

- 24 Ga. Steel
- 22 Ga. Steel
- .032" Aluminum
- .040" Aluminum
- .050" Aluminum
- .063 Aluminum
- 24 Ga. Stainless Steel

*Contact MPS for additional available colors

ACCESSORIES

- Inside Corners:**
- Outside Corners:**
- End Cap - Right:**
- End Cap - Left:**
- End Term Right:**
- End Term Left:**
- Special Corners:**

***Other:**

*ATTACH DRAWING FOR SPECIAL ITEMS

FINISH

- Standard Kynar 500 Colors (see color chart for availability)
- Plain galvanized steel "Paintgrip"
- Mill finish aluminum
- Anodized aluminum
- 2B finish stainless

TAPERED

FLAT

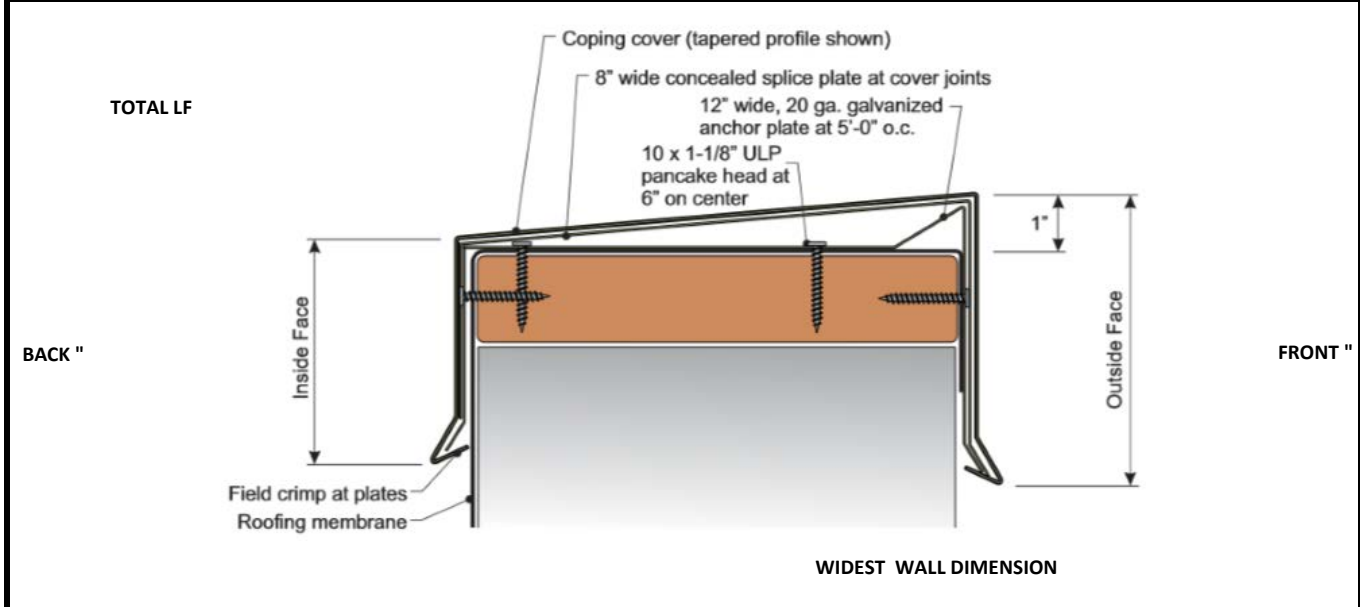
- * FABRICATED FOR WALL WIDTHS FROM 6" TO 24" WIDE
- * CONCEALED SPLICE PLATES
- * 20 YEAR FINISH WARRANTY
- * STANDARD FINISH IS PVDF FLUOROPOLYMER COATING IN 30 STANDARD AND METALLIC COLORS
- * INTERNATIONAL BUILDING CODE (IBC 2003 & 2006) COMPLIANT
- * PREMIUM COLORS INCUR ADDITIONAL COST



METAL
Panel Systems
 Architectural Sheet Metal

Project Name:
Installing Contractor:
General Contractor:
Architect:
Phone/Email:

MOC2 COPING SYSTEM



MATERIALS & COLORS	ACCESSORIES	FINISH
24 Ga. Steel 22 Ga. Steel .032" Aluminum .040" Aluminum .050" Aluminum .063 Aluminum 24 Ga. Stainless Steel *Contact MPS for additional available colors	Inside Corners: Outside Corners: End Cap - Right: End Cap - Left: End Term Right: End Term Left: Special Corners: *Other: *ATTACH DRAWING FOR SPECIAL ITEMS	Standard Kynar 500 Colors (see color chart for availability) Plain galvanized steel "Paintgrip" Mill finish aluminum Anodized aluminum 2B finish stainless

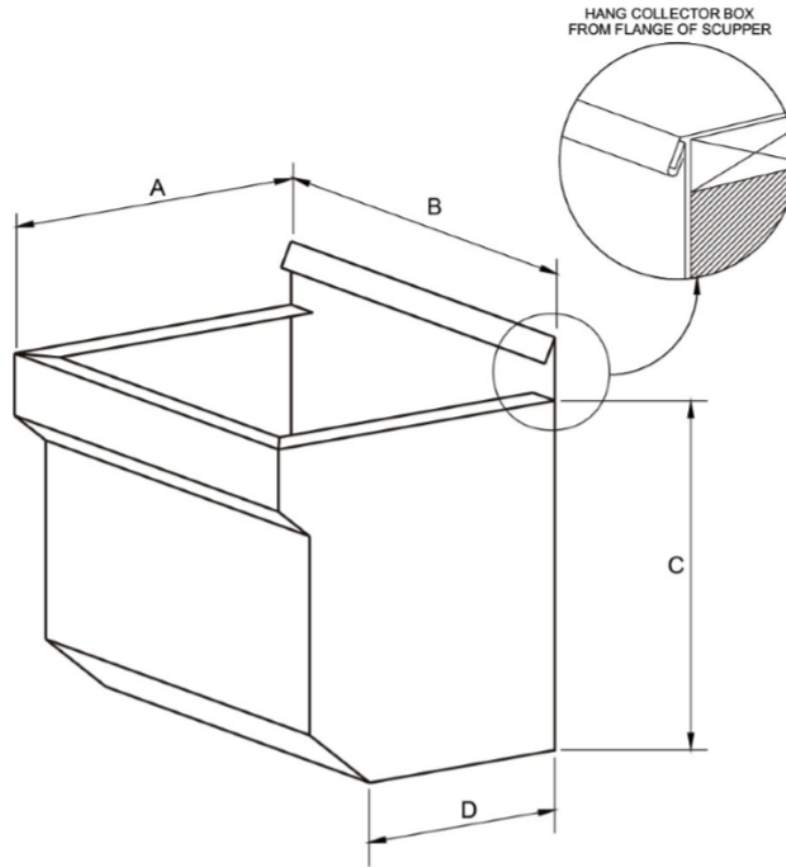
<p>TAPERED</p> <p>FLAT</p>	<ul style="list-style-type: none"> * CRIMPLOCK INSTALLATION TO 20 GA. GALVANIZED STEEL PRE-PUNCHED ANCHOR PLATES AT 5'-0" O.C. * CONCELAED SPLICE PLATES * FABRICATED FOR WALL WIDTHS FROM 6" TO 2" WIDE * STANDARD FINISH IS PVDF FLUOROPOLYMER COATING IN 30 STANDARD AND METALLIC COLORS * 20 YEAR FINISH WARRANTY * PREMIUM COLORS INCUR ADDITIONAL COST
----------------------------	--



METAL
Panel Systems
 Architectural Sheet Metal

Project Name:
 Installing Contractor:
 General Contractor:
 Architect:
 Phone/Email:

COLLECTOR BOXES



MATERIALS & COLORS

- 24 Ga. Steel
- 22 Ga. Steel
- .032" Aluminum
- .040" Aluminum
- .050" Aluminum
- .063 Aluminum
- 24 Ga. Stainless Steel

PRODUCT CODE

CB1212
 A - 8-1/2", B - 12", C - 12", D - 5"

CB1216
 A - 10-1/2", B - 16", C - 12", D - 7"

PRODUCT CODE

CUSTOM
 A -
 B -
 C -
 D -