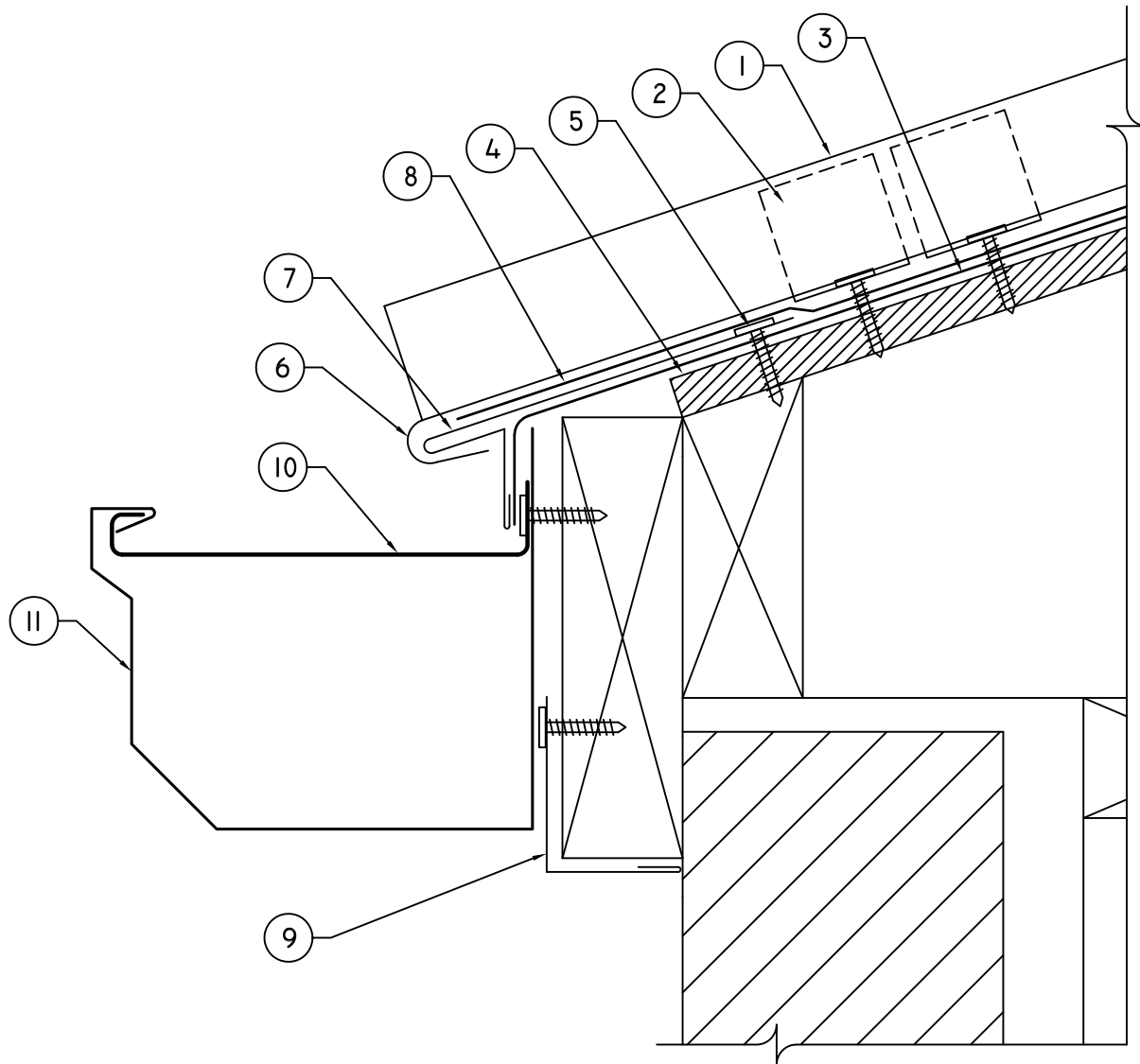


METAL PANEL SYSTEMS



- 1 MPS ROOF PANEL
- 2 MPS PANEL CLIP WITH FASTENER. INSTALL 2 CLIPS AT EAVE TYPICAL
- 3 ONE LAYER OF MPS APPROVED UNDERLAYMENT
- 4 SUITABLE ROOF DECK (BY OTHERS)
- 5 10x1-1/8" ULP PANCAKE HEAD WOOD SCREW, INSTALL 12" O.C. STAGGERED
- 6 CUT BACK VERTICAL LEGS AND FIELD FORM PANEL AROUND DRIP EDGE
- 7 DRIP EDGE, 4" END LAPS WITH CONT. MPS APPROVED CAULK AT LAPS
- 8 STRIP IN DRIP EDGE WITH ADDITIONAL COURSE OF MPS APPROVED UNDERLAYMENT
- 9 FASCIA COVER, 4" END LAPS WITH CONT. MPS APPROVED CAULK AT LAPS
- 10 INTERNAL GUTTER HANGER AT 24" O.C. TYPICAL (PAINTED EXTERNAL BRACKETS AVAILABLE)
- 11 MPS GUTTER, RIVET AND SEAL AT JOINTS (MIG7 SB SHOWN)



Description: EAVE WITH GUTTER DETAIL

Detail No.: MPS-EWG2

Substrate: SUITABLE SUBSTRATE

Date: 3/2/2020