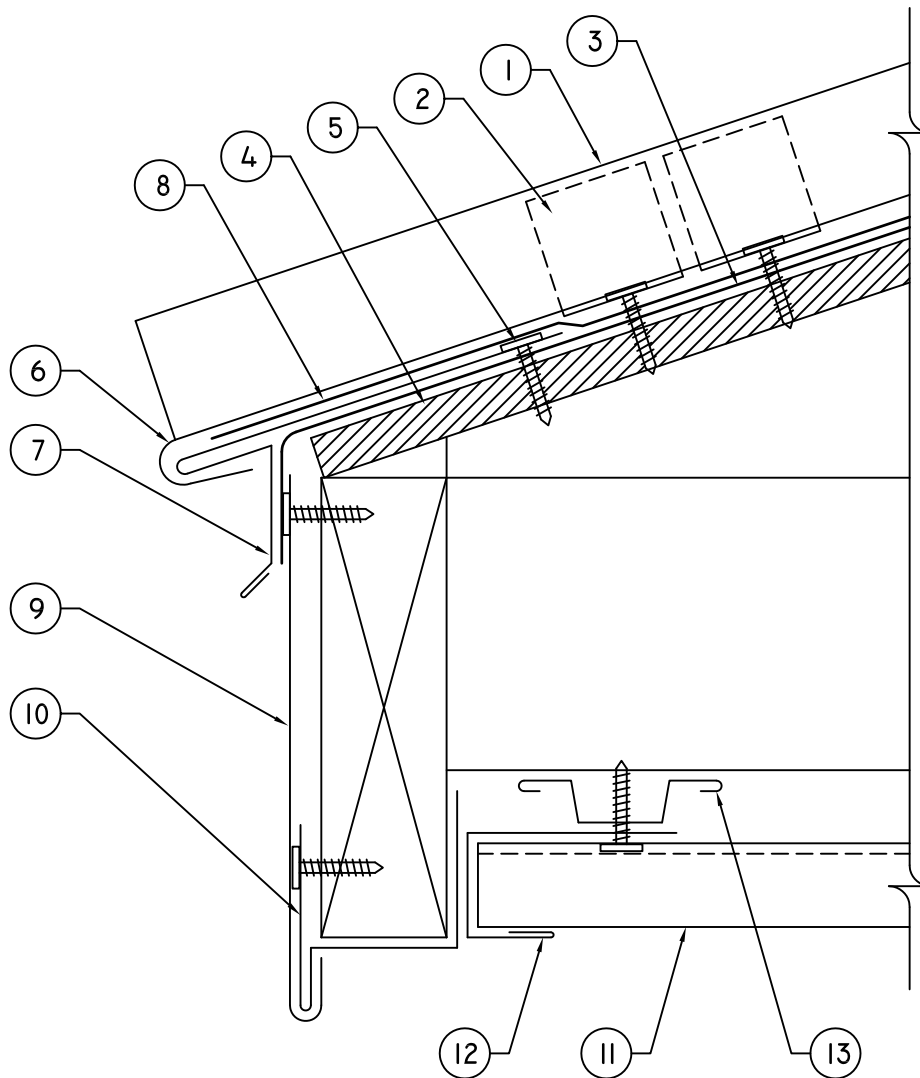


METAL PANEL SYSTEMS



- 1 MPS ROOF PANEL
- 2 MPS PANEL CLIP WITH FASTENER. INSTALL 2 CLIPS AT EAVE TYPICAL
- 3 ONE LAYER OF MPS APPROVED UNDERLAYMENT
- 4 SUITABLE ROOF DECK (BY OTHERS)
- 5 10x1-1/8" ULP PANCAKE HEAD WOOD SCREW, INSTALL 12" O.C. STAGGERED
- 6 CUT BACK VERTICAL LEGS AND FIELD FORM PANEL AROUND DRIP EDGE
- 7 DRIP EDGE, 4" END LAPS WITH CONT. MPS APPROVED CAULK AT LAPS
- 8 STRIP IN DRIP EDGE WITH ADDITIONAL COURSE OF MPS APPROVED UNDERLAYMENT
- 9 FASCIA COVER, 4" END LAPS WITH CONT. MPS APPROVED CAULK AT LAPS
- 10 CONTINUOUS FASCIA CLEAT FASTENED AT 20" O.C.
- 11 MPS FP100 SOFFIT PANEL (ADDITIONAL SOFFIT FRAMING MAY BE REQUIRED)
- 12 J-CHANNEL TRIM, FASTENED AT 20" O.C.
- 13 HAT CHANNEL



Description:	EAVE DETAIL	Detail No.:	MPS-ED4
Substrate:	SUITABLE SUBSTRATE	Date:	3/2/2020