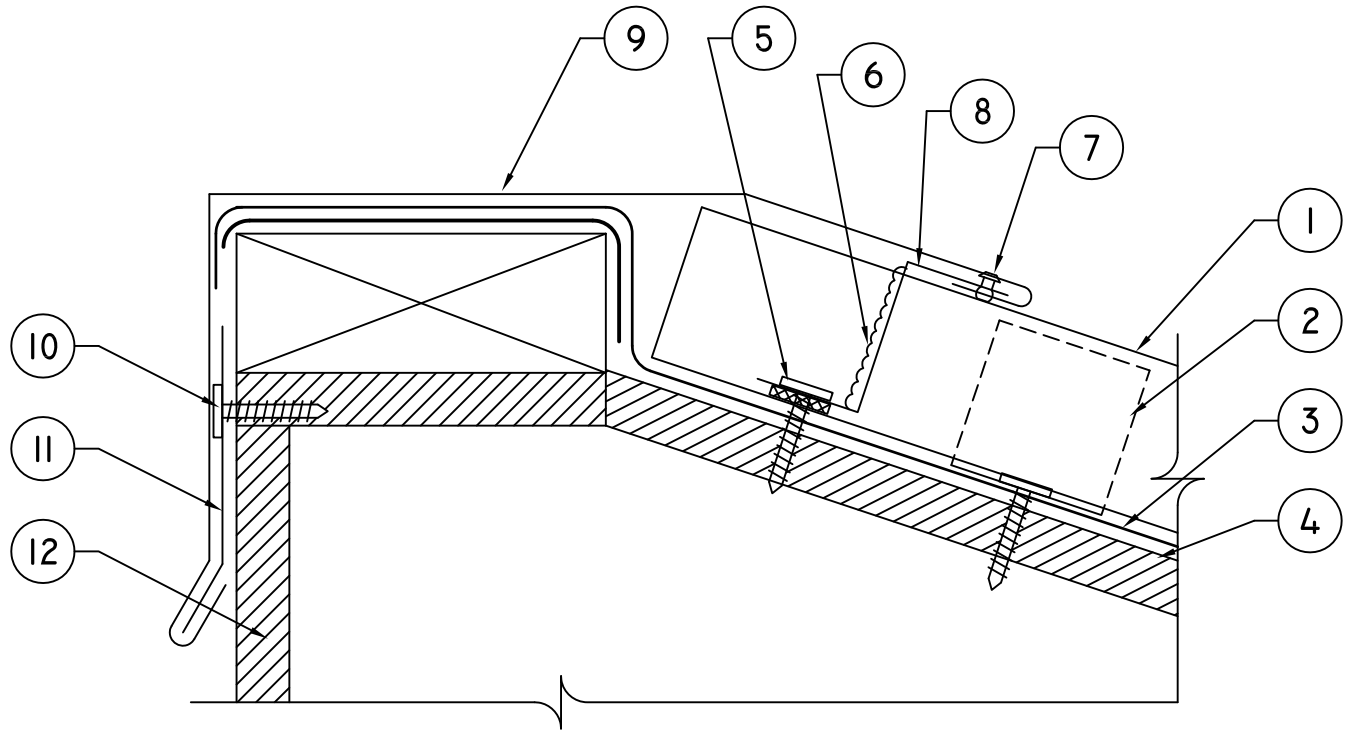


METAL PANEL SYSTEMS



- 1 MPS ROOF PANEL
- 2 MPS PANEL CLIP WITH FASTENER
- 3 ONE LAYER OF MPS APPROVED UNDERLAYMENT
- 4 SUITABLE ROOF DECK (BY OTHERS)
- 5 10x1-1/8" ULP PANCAKE HEAD WOOD SCREW, USE 2 PER ZEE CLOSURE
- 6 CONTINUOUS BEAD OF MPS APPROVED SEALANT UP VERTICAL LEG OF ZEE CLOSURE
- 7 PAINTED POP RIVET, 40" O.C. TYPICAL
- 8 ZEE CLOSURE BETWEEN PANEL LEGS, SET IN CONT. MPS APPROVED BUTYL CAULK TAPE
- 9 PEAK CAP, LAP ENDS MIN. 4" AND USE CONT. MPS APPROVED CAULK AT LAP
- 10 10x1-1/8" ULP PANCAKE HEAD WOOD SCREW AT 12" O.C. STAGGERED
- 11 CONTINUOUS CLEAT, FASTENED AT 20" O.C.
- 12 EXTERIOR BUILDING WALL (BY OTHERS)



Description:	PEAK DETAIL	Detail No.:	MPS-PD4
Substrate:	SUITABLE SUBSTRATE	Date:	3/2/2020