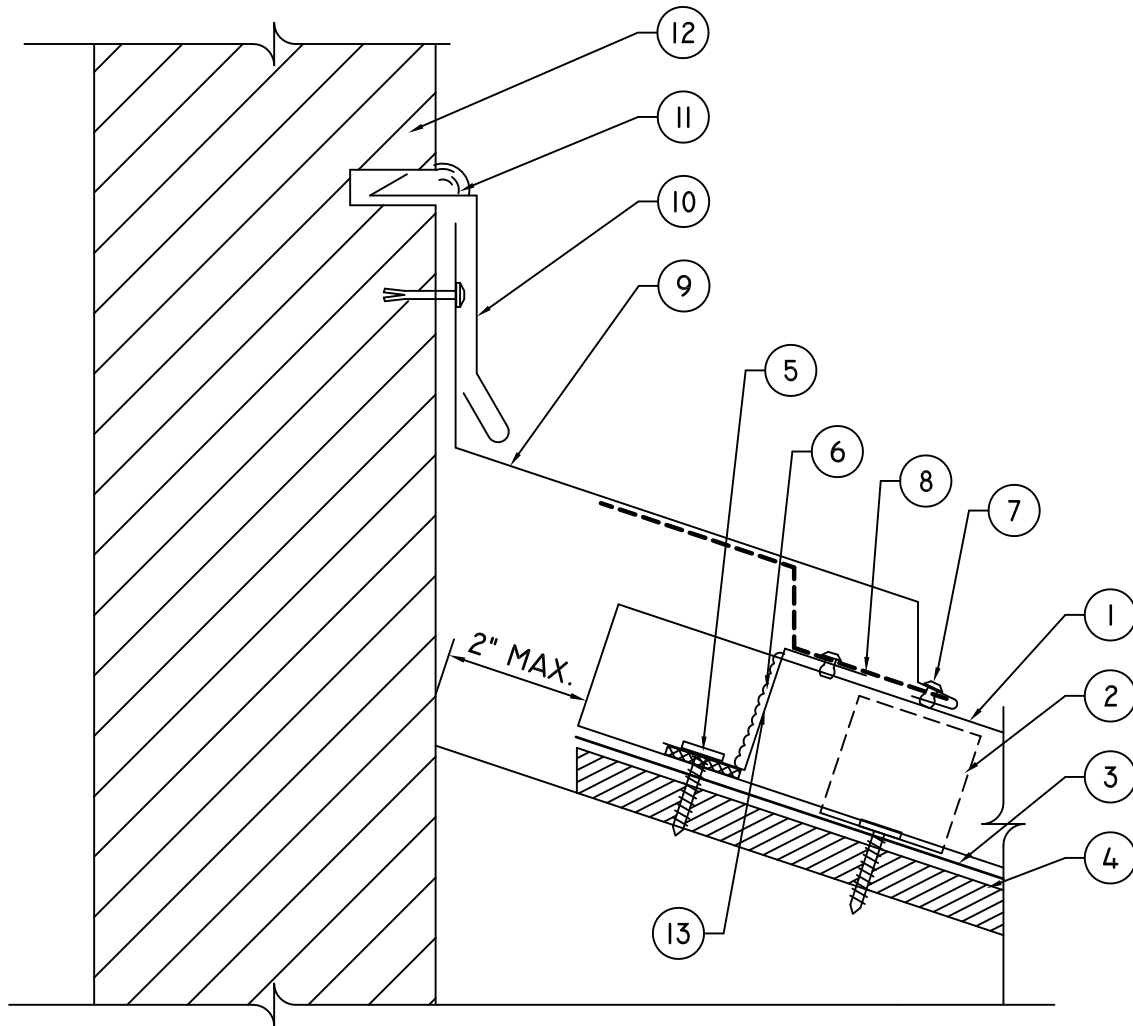


METAL PANEL SYSTEMS



- 1 MPS ROOF PANEL
- 2 MPS PANEL CLIP WITH FASTENER
- 3 ONE LAYER OF MPS APPROVED UNDERLAYMENT
- 4 SUITABLE ROOF DECK (BY OTHERS)
- 5 10x1-1/8" ULP PANCAKE HEAD WOOD SCREW, USE 2 PER ZEE CLOSURE
- 6 CONTINUOUS BEAD OF MPS APPROVED SEALANT UP VERTICAL LEG OF ZEE CLOSURE
- 7 PAINTED POP RIVET, 40" O.C. TYPICAL
- 8 CONTINUOUS 20 GA. PERFORATED VENT MATERIAL
- 9 VENTED HIGHWALL FLASHING, 4" END LAPS WITH CONT. MPS APPROVED CAULK AT LAPS
- 10 REGLET FLASHING, 4" END LAPS WITH CONTINUOUS MPS APPROVED CAULK AT LAPS
- 11 CONTINUOUS BEAD OF MPS APPROVED SEALANT
- 12 MASONRY WALL (BY OTHERS)
- 13 ZEE CLOSURE BETWEEN PANEL LEGS, SET IN CONT. MPS APPROVED BUTYL CAULK TAPE



Description: **VENTED HIGHWALL DETAIL**

Detail No.: **MPS-VHWD1**

Substrate: **SUITABLE SUBSTRATE**

Date: **3/2/2020**