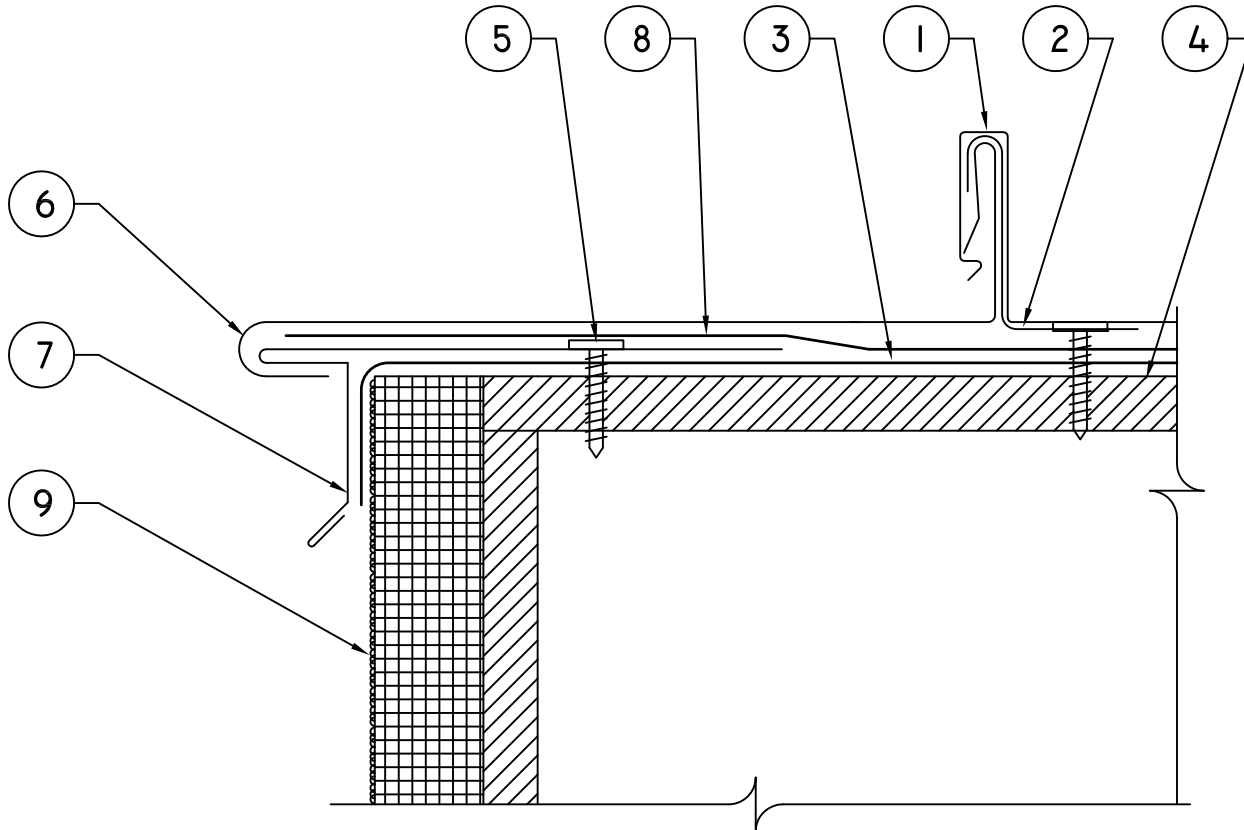


# METAL PANEL SYSTEMS



- 1 MPS ROOF PANEL (MPS MP175 PANEL SHOWN)
- 2 MPS PANEL CLIP WITH FASTENER
- 3 ONE LAYER OF MPS APPROVED UNDERLAYMENT
- 4 SUITABLE ROOF DECK (BY OTHERS)
- 5 10x1-1/8" ULP PANCAKE HEAD WOOD SCREW, INSTALL 12" O.C. STAGGERED
- 6 REMOVE PANEL LEG AND FIELD FORM PANEL AROUND GABLE EDGE
- 7 EXTENDED GABLE EDGE, 4" END LAPS WITH CONT. MPS APPROVED CAULK AT LAPS
- 8 STRIP IN GABLE EDGE WITH ADDITIONAL COURSE OF MPS APPROVED UNDERLAYMENT
- 9 EXTERIOR BUILDING WALL (BY OTHERS)



**METAL**  
Panel Systems  
Architectural Sheet Metal

Description:

GABLE DETAIL

Detail No.:

MPS-GD1

Substrate:

SUITABLE SUBSTRATE

Date:

3/2/2020