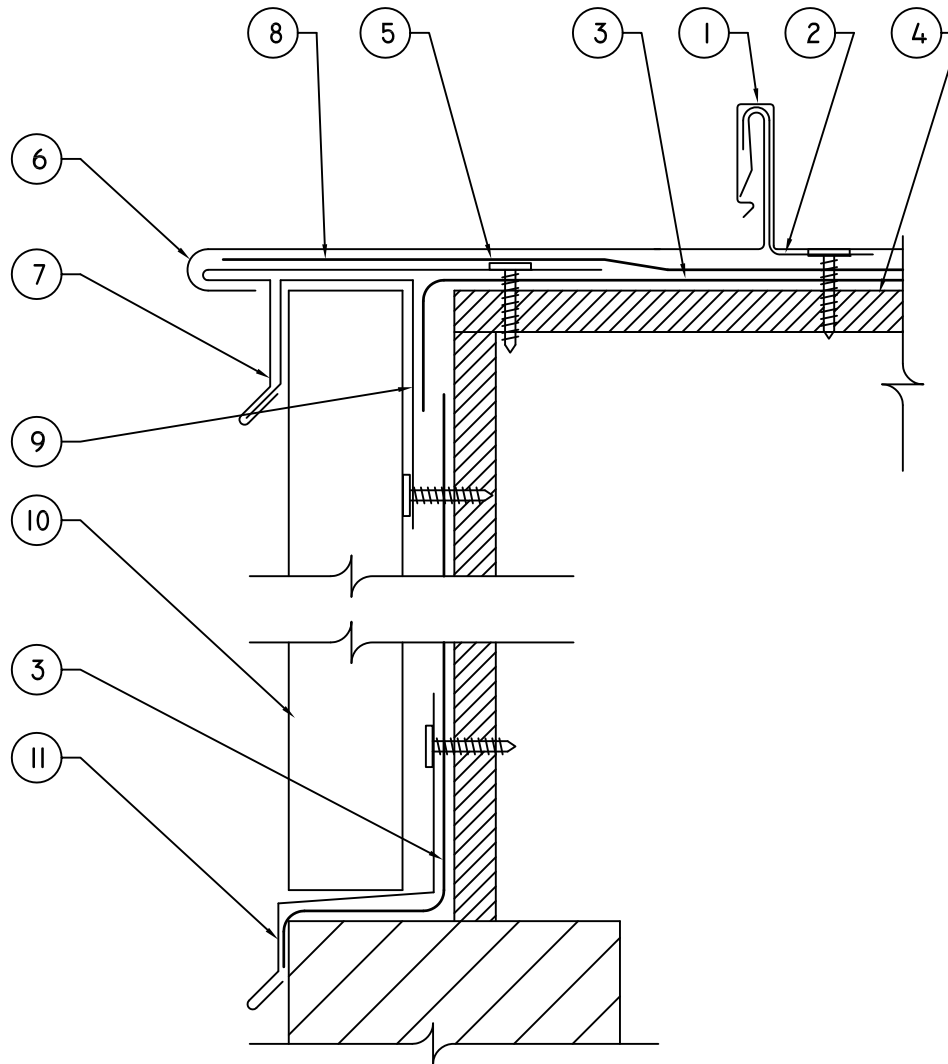


METAL PANEL SYSTEMS



- 1 MPS ROOF PANEL (MPS MP175 PANEL SHOWN)
- 2 MPS PANEL CLIP WITH FASTENER
- 3 ONE LAYER OF MPS APPROVED UNDERLAYMENT
- 4 SUITABLE ROOF DECK (BY OTHERS)
- 5 10x1-1/8" ULP PANCAKE HEAD WOOD SCREW, INSTALL 12" O.C. STAGGERED
- 6 REMOVE PANEL LEG AND FIELD FORM PANEL AROUND GABLE EDGE
- 7 GABLE EDGE, 4" END LAPS WITH CONT. MPS APPROVED CAULK AT LAPS
- 8 STRIP IN GABLE EDGE WITH ADDITIONAL COURSE OF MPS APPROVED UNDERLAYMENT
- 9 CONTINUOUS J-CHANNEL WITH CLEAT, FASTENED AT 20" O.C.
- 10 MPS VERTICAL WALL PANEL FASCIA (MPS FP100 PANEL SHOWN)
- 11 SILL TRIM, 4" END LAPS WITH CONT. MPS APPROVED CAULK AT LAPS



Description:	GABLE DETAIL	Detail No.:	MPS-GD5
Substrate:	SUITABLE SUBSTRATE	Date:	3/2/2020