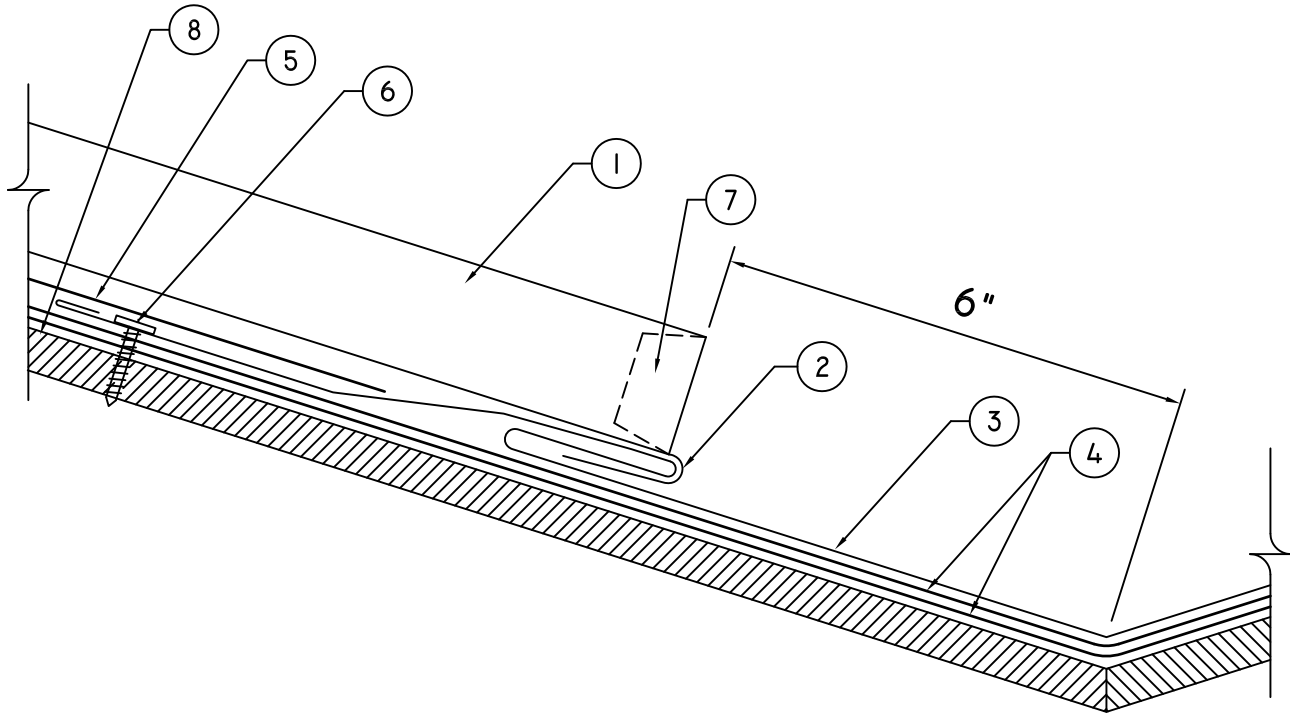


METAL PANEL SYSTEMS



- 1 MPS ROOF PANEL
- 2 CUT BACK PANEL LEG AND FORM AROUND ONE-PIECE VALLEY OFFSET HEM
- 3 VALLEY FLASHING, 12" END LAPS WITH DOUBLE ROW OF CONT. MPS APPROVED CAULK AT LAPS
- 4 DOUBLE LAYER OF MPS APPROVED UNDERLAYMENT INSTALL LENGTH OF VALLEY
- 5 STRIP IN VALLEY FLSG. WITH FIELD COURSES OF MPS APPROVED UNDERLAYMENT AND SEAL
- 6 10x1-1/8" ULP PANCAKE HEAD WOOD SCREW, 24" O.C.
- 7 FOLD END OF PANEL SEAM AROUND IN DIRECTION OF SLOPE
- 8 SUITABLE ROOF DECK (BY OTHERS)



Description:	VALLEY DETAIL	Detail No.:	MPS-VD1
Substrate:	SUITABLE SUBSTRATE	Date:	3/2/2020