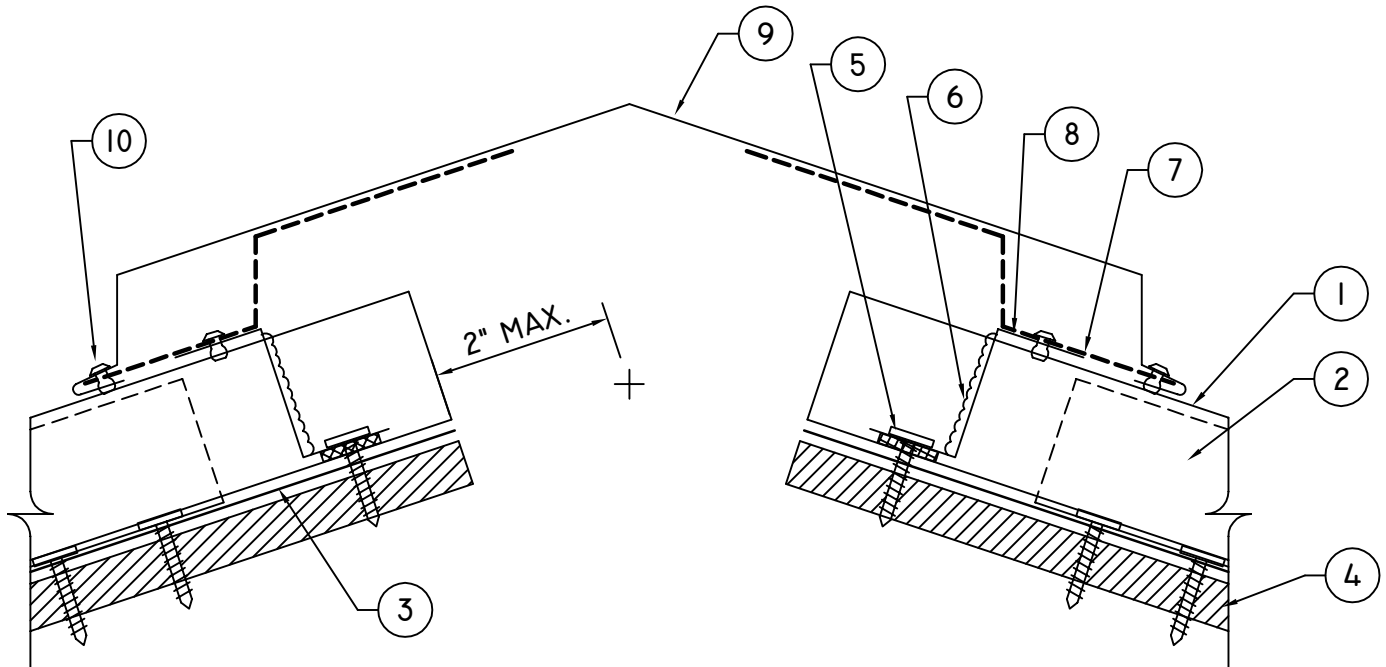


METAL PANEL SYSTEMS



- 1 MPS ROOF PANEL
- 2 MPS PANEL CLIP WITH FASTENER
- 3 ONE LAYER OF MPS ULTRA HT UNDERLAYMENT
- 4 SUITABLE ROOF DECK (BY OTHERS)
- 5 10x1-1/8" ULP PANCAKE HEAD WOOD SCREW, USE 2 PER ZEE CLOSURE
- 6 CONTINUOUS BEAD OF MPS APPROVED SEALANT UP VERTICAL LEG OF ZEE CLOSURE
- 7 CONTINUOUS 20 GA. PERFORATED VENT MATERIAL
- 8 ZEE CLOSURE BETWEEN PANEL LEGS, SET IN CONT. MPS APPROVED BUTYL CAULK TAPE
- 9 HIP/RIDGE COVER, LAP ENDS MIN. 4" AND USE CONT. MPS APPROVED CAULK AT LAP
- 10 POP RIVET AT 12" O.C. TYPICAL



Description:	HIP / RIDGE DETAIL	Detail No.:	MPS-VHRD1
Substrate:	SUITABLE SUBSTRATE	Date:	4/14/2020