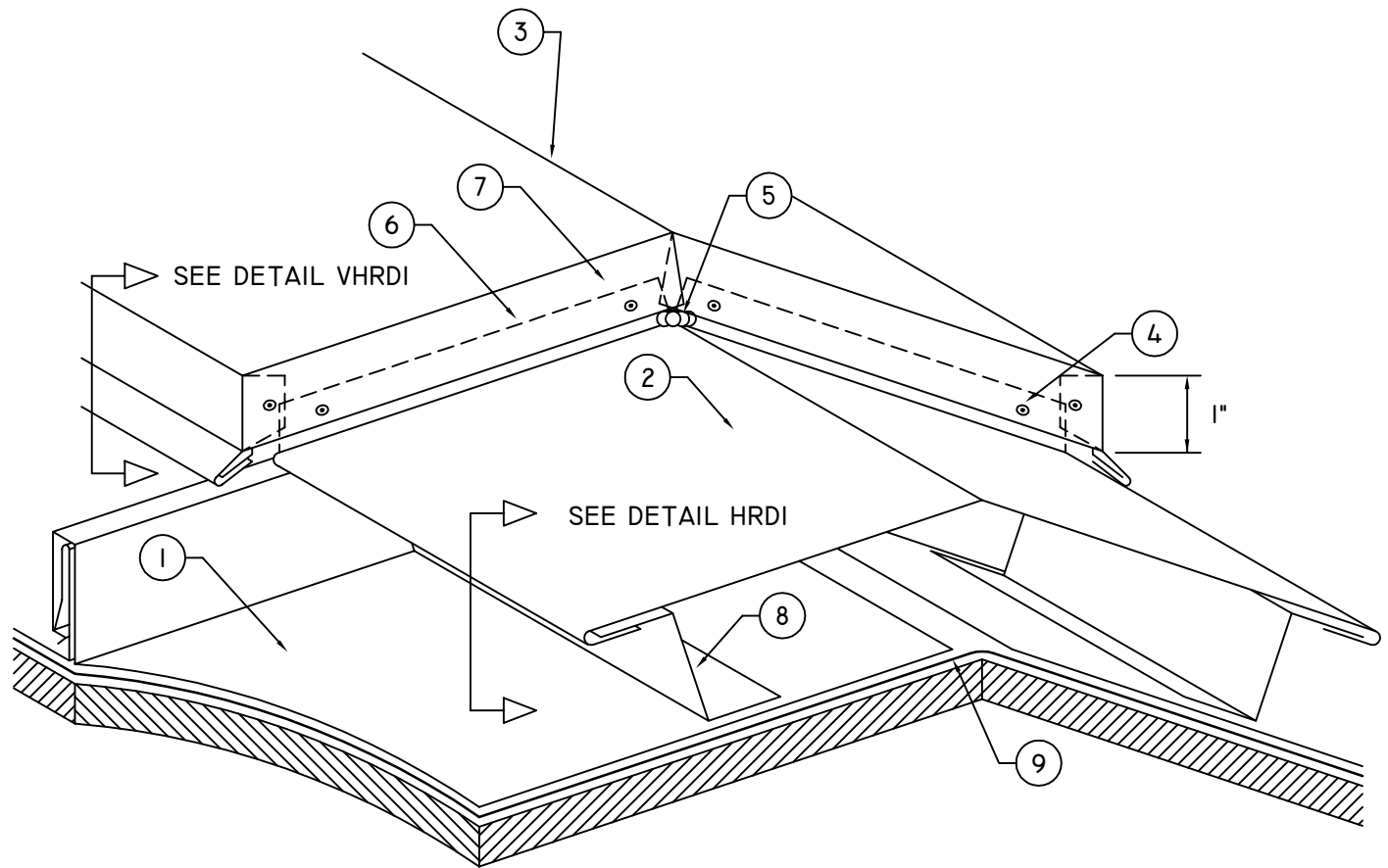


METAL PANEL SYSTEMS



- 1 MPS ROOF PANEL (MPS MP175 PANEL SHOWN)
- 2 RIDGE CAP (LOW PROFILE - DETAIL HRD1)
- 3 VENTED RIDGE CAP (HIGH PROFILE - DETAIL VHRD1)
- 4 PAINTED POP RIVET. MPS APPROVED CAULK RIVET HEAD
- 5 DAB OF MPS APPROVED SEALANT AT PEAK INTERSECTION
- 6 FIELD FORM MIN. 3/4" TABS ON LOW PROFILE RIDGE AND TUCK UNDER HIGH PROFILE VENTED RIDGE CAP. CONTINUOUS MPS APPROVED CAULK AT LAP
- 7 FIELD FORM 1" BOXED ENDS ON HIGH PROFILE VENTED RIDGE CAP
- 8 ZEE CLOSURE, SET IN CONTINUOUS MPS APPROVED BUTYL CAULK TAPE
- 9 FULL COURSE OF MPS ULTRA HT UNDERLAYMENT CUT AT VENTED RIDGE



METAL
Panel Systems
Architectural Sheet Metal

Description:

VENTED RIDGE TRANSITION DETAIL

Substrate:

SUITABLE SUBSTRATE

Detail No.:

MPS-VRT1

Date:

4/14/2020