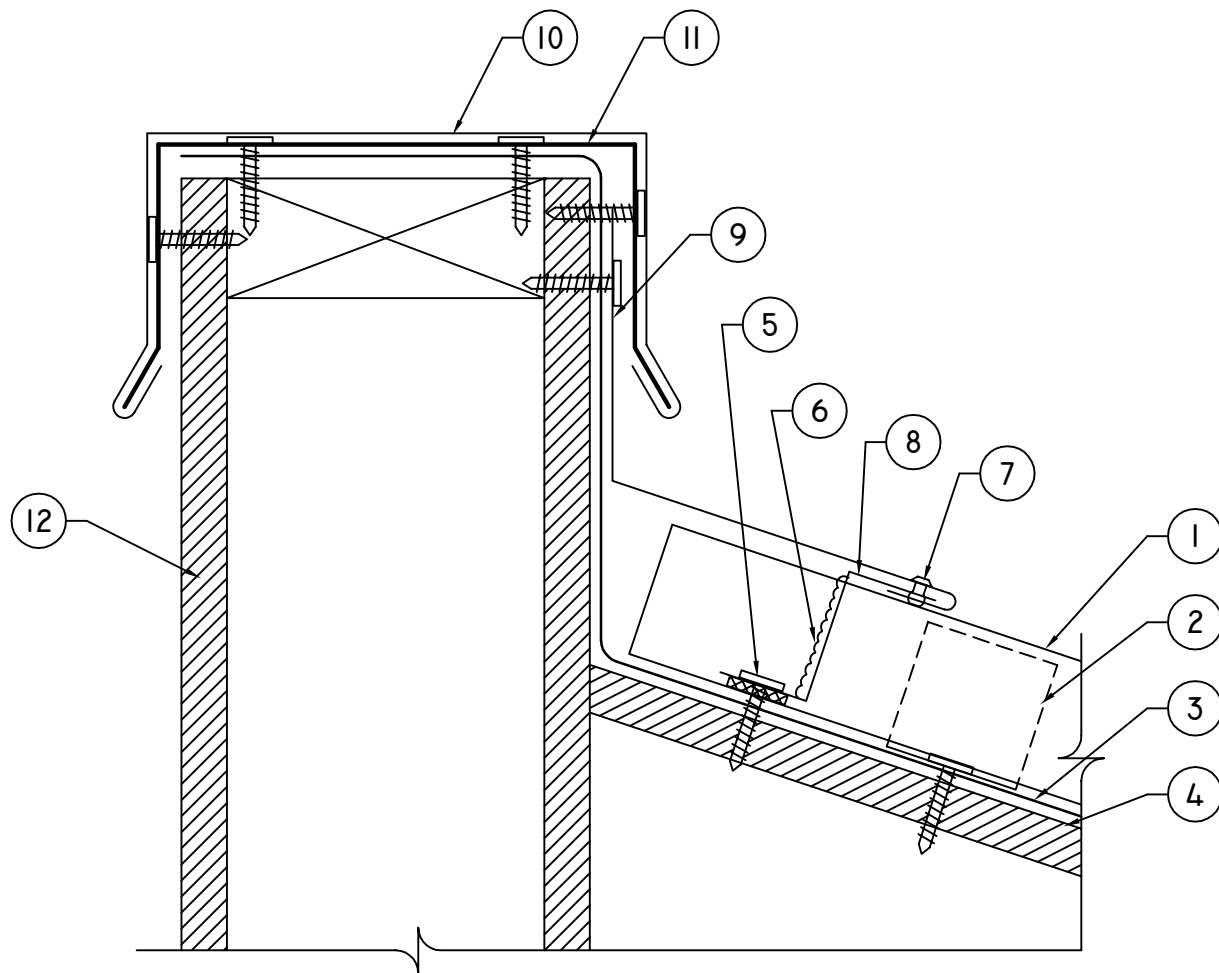


METAL PANEL SYSTEMS



- 1 MPS ROOF PANEL
- 2 MPS PANEL CLIP WITH FASTENER
- 3 ONE LAYER OF MPS ULTRA HT UNDERLAYMENT
- 4 SUITABLE ROOF DECK (BY OTHERS)
- 5 10x1-1/8" ULP PANCAKE HEAD WOOD SCREW, USE 2 PER ZEE CLOSURE
- 6 CONTINUOUS BEAD OF MPS APPROVED SEALANT UP VERTICAL LEG OF ZEE CLOSURE
- 7 PAINTED POP RIVET, 40" O.C. TYPICAL
- 8 ZEE CLOSURE BETWEEN PANEL LEGS, SET IN CONT. MPS APPROVED BUTYL CAULK TAPE
- 9 HIGHWALL FLASHING, 4" END LAPS WITH CONT. MPS APPROVED CAULK AT LAPS
- 10 MPS COPING SYSTEM WITH SPLICE PLATES AT BUTT JOINTS (MPS MOC2 COPING SHOWN)
- 11 12" x 20 GA. GALVANIZED ANCHOR PLATE AT 5'-0" O.C. TYPICAL
- 12 EXTERIOR BUILDING WALL (BY OTHERS)



Description:

PEAK DETAIL

Detail No.:

MPS-PD5

Substrate:

SUITABLE SUBSTRATE

Date:

4/14/2020