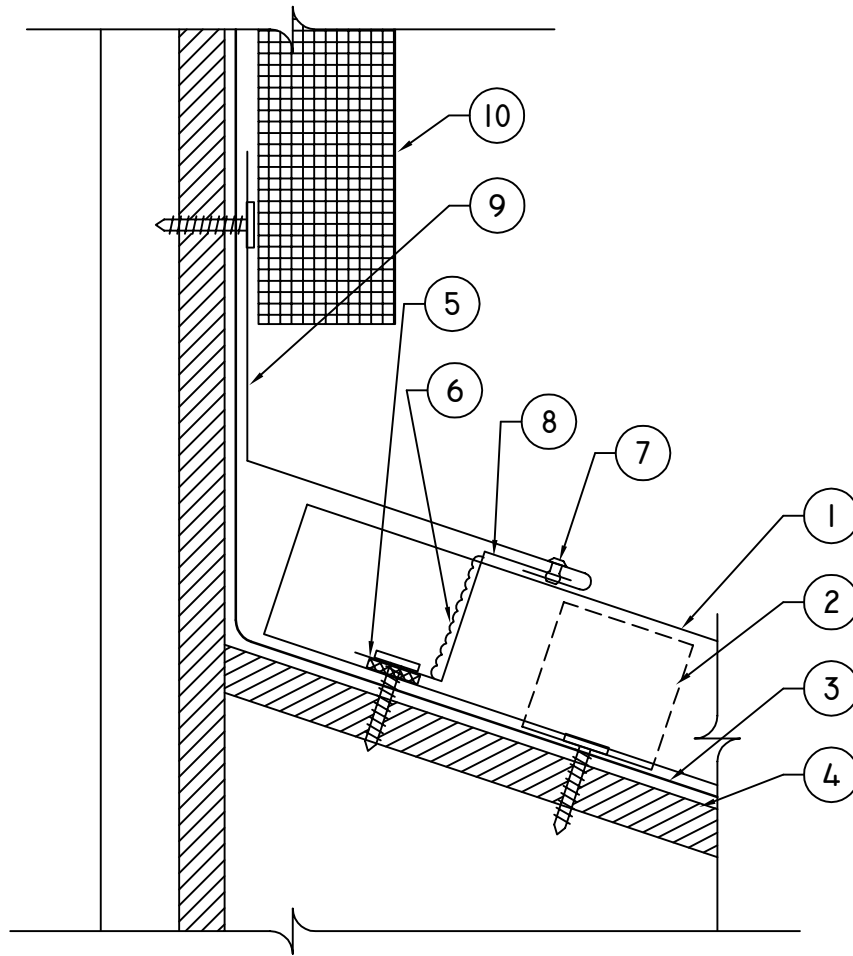


# METAL PANEL SYSTEMS



- 1 MPS ROOF PANEL
- 2 MPS PANEL CLIP WITH FASTENER
- 3 ONE LAYER OF MPS ULTRA HT UNDERLAYMENT
- 4 SUITABLE ROOF DECK (BY OTHERS)
- 5 10x1-1/8" ULP PANCAKE HEAD WOOD SCREW, USE 2 PER ZEE CLOSURE
- 6 CONTINUOUS BEAD OF MPS APPROVED SEALANT UP VERTICAL LEG OF ZEE CLOSURE
- 7 PAINTED POP RIVET, 40" O.C. TYPICAL
- 8 ZEE CLOSURE BETWEEN PANEL LEGS, SET IN CONT. MPS APPROVED BUTYL CAULK TAPE
- 9 HIGHWALL FLASHING, 4" END LAPS WITH CONT. MPS APPROVED CAULK AT LAPS
- 10 EXTERIOR BUILDING WALL (BY OTHERS)



**METAL**  
**Panel Systems**  
 Architectural Sheet Metal

Description:

HIGHWALL DETAIL

Substrate:

SUITABLE SUBSTRATE

Detail No.:

MPS-HWD2

Date:

4/14/2020