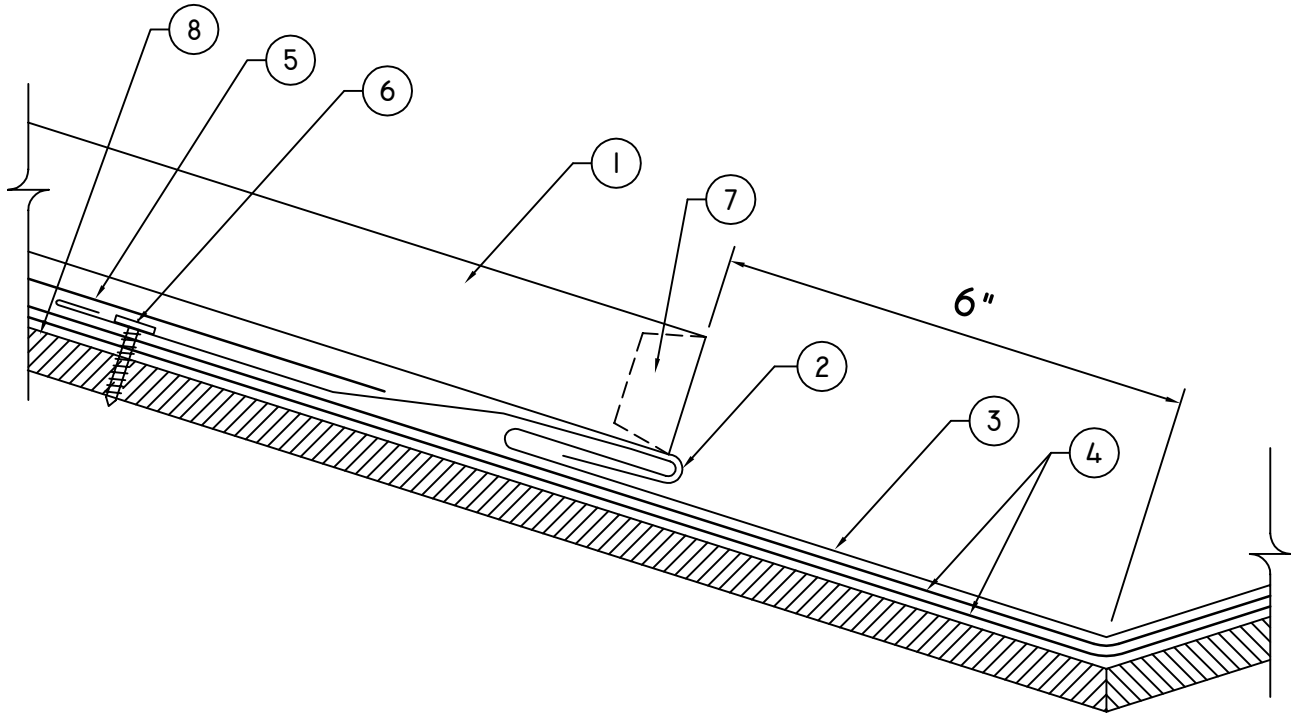


# METAL PANEL SYSTEMS



- 1 MPS ROOF PANEL
- 2 CUT BACK PANEL LEG AND FORM AROUND ONE-PIECE VALLEY OFFSET HEM
- 3 VALLEY FLASHING, 12" END LAPS WITH DOUBLE ROW OF CONT. MPS APPROVED CAULK AT LAPS
- 4 DOUBLE LAYER OF MPS ULTRA HT UNDERLAYMENT INSTALL LENGTH OF VALLEY
- 5 STRIP IN VALLEY FLSG. WITH FIELD COURSES OF MPS ULTRA HT UNDERLAYMENT AND SEAL
- 6 10x1-1/8" ULP PANCAKE HEAD WOOD SCREW, 24" O.C.
- 7 FOLD END OF PANEL SEAM AROUND IN DIRECTION OF SLOPE
- 8 SUITABLE ROOF DECK (BY OTHERS)



**METAL**  
Panel Systems  
Architectural Sheet Metal

Description:

VALLEY DETAIL

Detail No.:

MPS-VD1

Substrate:

SUITABLE SUBSTRATE

Date:

4/14/2020