



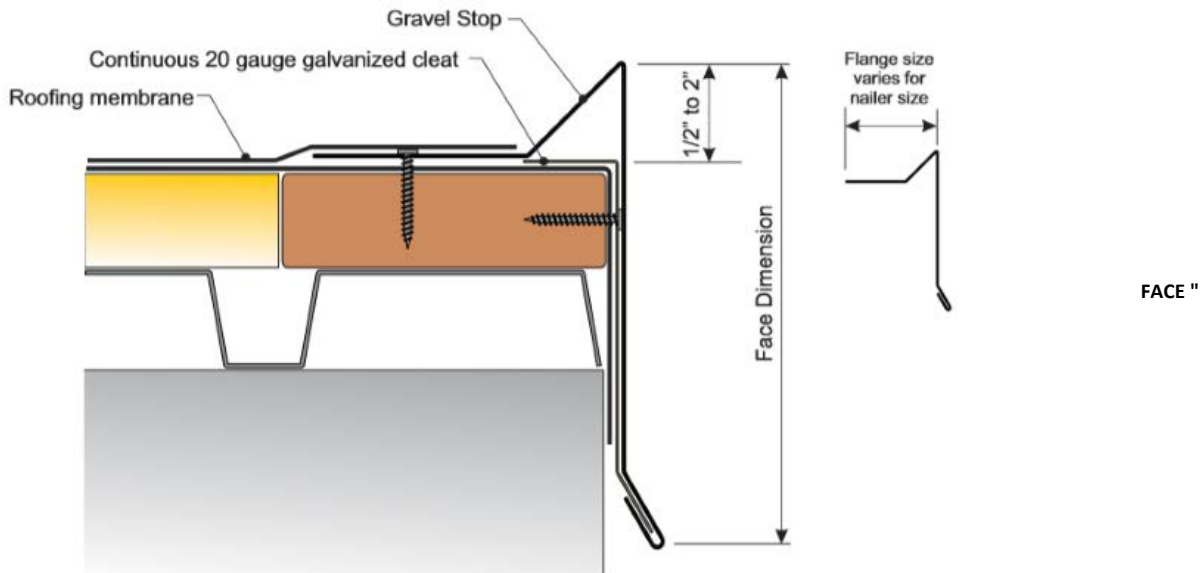
METAL
Panel Systems
Architectural Sheet Metal

Project Name:
Installing Contractor:
General Contractor:
Architect:
Phone/Email:

EDGE SHIELD GRAVEL STOP



ES-1 TESTED



MATERIALS & COLORS

- 24 Ga. Steel
- 22 Ga. Steel
- .032" Aluminum
- .040" Aluminum
- .050" Aluminum
- .063 Aluminum
- 24 Ga. Stainless Steel

*Contact MPS for additional available colors

ACCESSORIES

- Inside Corners:**
- Outside Corners:**
- End Cap - Right:**
- End Cap - Left:**
- End Term Right:**
- End Term Left:**
- Special Corners:**
- *Other:**

*ATTACH DRAWING FOR SPECIAL ITEMS

FINISH

- Standard Kynar 500 Colors (see color chart for availability)
- Plain galvanized steel "Paintgrip"
- Mill finish aluminum
- Anodized aluminum
- 2B finish stainless

- * APPLICABLE WITH MOST ROOFING SYSTEMS
- * INSTALLATION WITH CONTINUOUS 20 GA. GALVANIZED CLEAT
- * PRE-PUNCHED HOLES FOR PROPER FASTENER PLACEMENT
- * CONCEALED SPLICE PLATES (OPTIONAL)
- * 35 YEAR FINISH WARRANTY
- * STANDARD PVDF FLUOROPOLYMER FINISH
- * PREMIUM COLORS INCUR ADDITIONAL COST