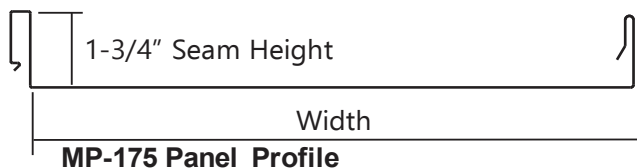
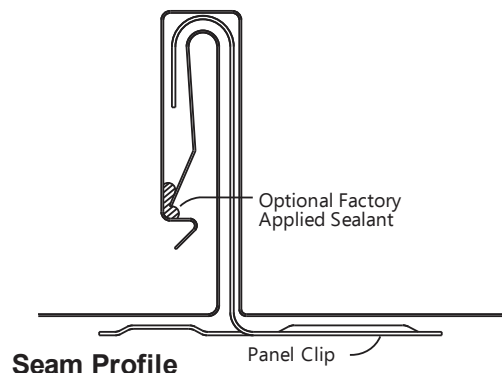
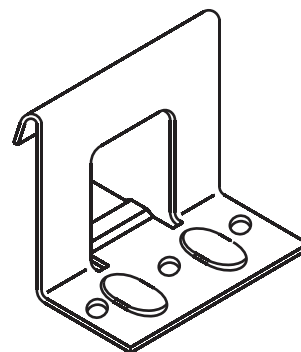


The MP-175 Panel is one of the industry's most popular panel profile options. The snap lock seam provides to the installer a faster installation without compromising seam integrity and strength. This is due to the modest seam height and anti-siphoning design unlike that of other snap seam designs.



- Architectural (solid substrate) or structural (open framing) applications.
- Integral snap-lock design provides continuous interlock at sidelap.
- Roof slopes as low as 3:12. Vertical walls and fascia systems.
- Continuous panel lengths. Field forming available.
- Panels expand and contract freely.
- ASTM E-1680-95 air infiltration tested.
- ASTM E-1646-95 water penetration tested.
- ASTM E-1592 tested for structural performance.
- UL90 uplift resistance classified assemblies.
- 35 year finish warranty.
- Surface patterns include smooth, striated, pencil ribs, and bead ribs.

### Panel Clip



MP-175 Standard Clip (MP175SC)

| MATERIALS     | STANDARD WIDTHS | OPTIONAL WIDTHS    |
|---------------|-----------------|--------------------|
| 24 ga. Steel  | 18"             | 12", 14", 15", 16" |
| 22 ga. Steel  | 18"             | 14", 15", 16"      |
| .040 Aluminum | 18"             | 12", 16"           |
| .032 Aluminum | 18"             | 12", 16"           |
| 20 oz. Copper | 14"             | 12", 18"           |
| 16 oz. Copper | 14"             | 12", 18"           |

