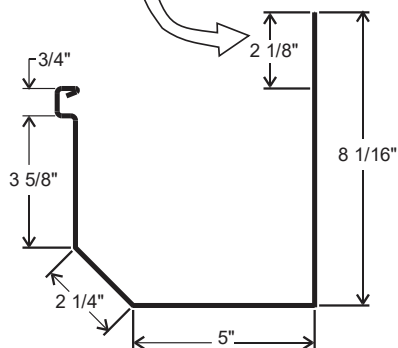
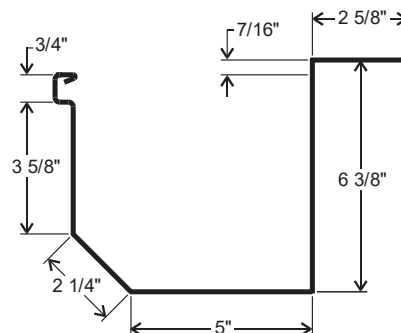


Extra High Back



Straight Back Profile



Flanged Back Profile

- Commercial grade roll-formed gutters.
- Kynar 500 finish.
- Available in any length up to 53'.
- Easy to install, 16 gauge hidden hanger.
- Ability to match color/material of standing seam metal roof system.

MATERIALS AVAILABLE

24 ga. Steel
22 ga. Steel
.040" Aluminum
20 oz. Copper
16 oz. Copper

PRODUCT: Mig-7 gutter system is a heavy duty commercial grade gutter system. The profile is a rectangular style (SMACNA Style D) commercial design.

APPLICATION: Commercial or industrial applications. For both steep sloped or flat roof systems.

ATTACHMENT: Mig-7 gutter is to be installed with 16 ga. galvanized steel hangers at 24" o.c. for straight-back and 36" o.c. for flange-back.

LENGTHS: Gutter sections are factory formed in lengths up to 53'-0" long.

MATERIALS: Mig-7 gutter is available in heavy duty 24 ga. steel, 22 ga. steel, .040" aluminum, 20 oz. copper, or 16 oz. copper.

KYNAR 500 FINISH: Standard material finish is premium fluoropolymer coatings produced with full strength Kynar 500 or Hylar 500 resin. Full strength Kynar 500 or Hylar 500 finishes carry a 20 year guarantee against cracking, peeling, and fade (not to exceed 5 N.B.S. units). These are the highest exterior grade finishes available.

