



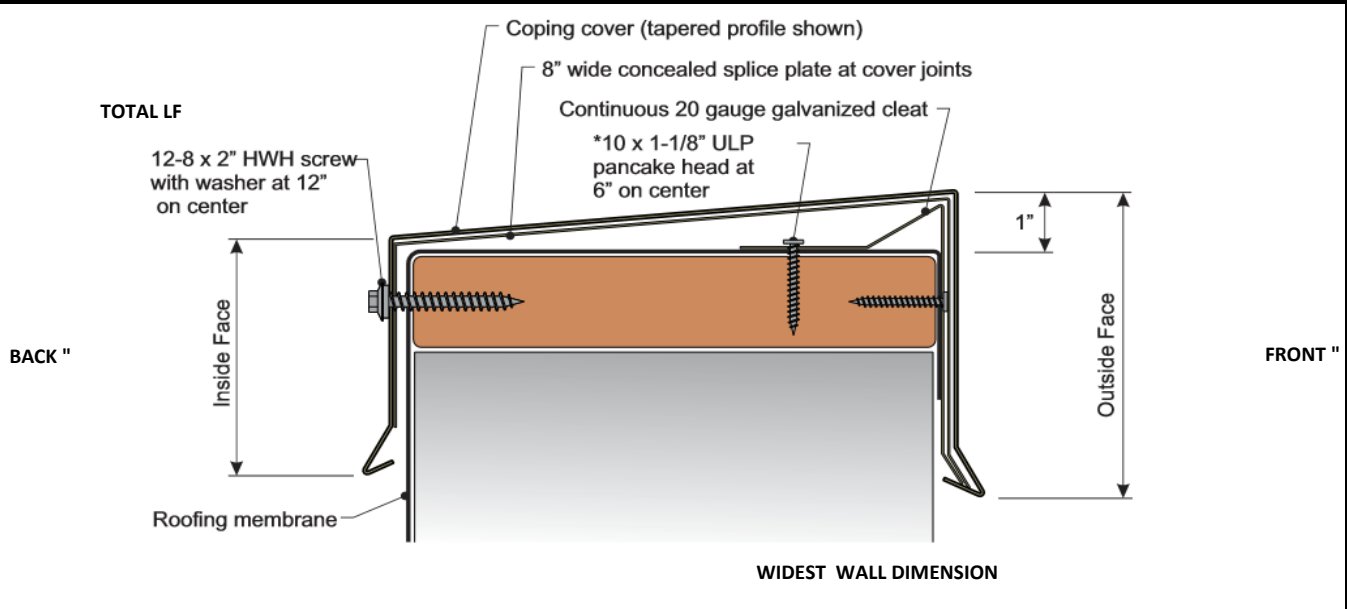
METAL
Panel Systems
 Architectural Sheet Metal

Project Name:
 Installing Contractor:
 General Contractor:
 Architect:
 Phone/Email:

MOC1 COPING SYSTEM



ES-1 TESTED



MATERIALS & COLORS

- 24 Ga. Steel
- 22 Ga. Steel
- .032" Aluminum
- .040" Aluminum
- .050" Aluminum
- .063 Aluminum
- 24 Ga. Stainless Steel

*Contact MPS for additional available colors

ACCESSORIES

- Inside Corners:**
- Outside Corners:**
- End Cap - Right:**
- End Cap - Left:**
- End Term Right:**
- End Term Left:**
- Special Corners:**
- *Other:**

*ATTACH DRAWING FOR SPECIAL ITEMS

FINISH

- Standard Kynar 500 Colors (see color chart for availability)
- Plain galvanized steel "Paintgrip"
- Mill finish aluminum
- Anodized aluminum
- 2B finish stainless

TAPERED

FLAT

- * FABRICATED FOR WALL WIDTHS FROM 6" TO 24" WIDE
- * CONCEALED SPLICE PLATES
- * 20 YEAR FINISH WARRANTY
- * STANDARD FINISH IS PVDF FLUOROPOLYMER COATING IN 30 STANDARD AND METALLIC COLORS
- * INTERNATIONAL BUILDING CODE (IBC 2003 & 2006) COMPLIANT
- * PREMIUM COLORS INCUR ADDITIONAL COST