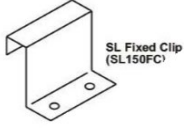
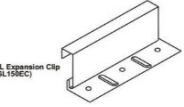

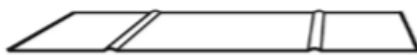
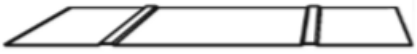




METAL
Panel Systems
Architectural Sheet Metal

SL150 SUBMITTAL FORM

Project Name:
Installing Contractor:
General Contractor:
Architect:
Phone/Email:

| WIDTHS | CLIP OPTIONS | SURFACE PATTERN |
|----------------|--|---|
| 24 Ga. Steel |   | <input type="checkbox"/> Striated  |
| 22 Ga. Steel | | <input type="checkbox"/> 2 Pencil Ribs  |
| .032" Aluminum | | <input type="checkbox"/> 2 Bead Ribs  |
| 16 oz. Copper | | <input type="checkbox"/> SMOOTH PANEL |
| 20 oz. Copper | | |

COLOR OPTIONS



COATED METALS GROUP

Denver, CO 877-623-5333
 Indianapolis, IN 866-694-1999
 Madison, WI 800-784-0356
 Minneapolis, MN 855-561-5160
 Phoenix, AZ 888-277-6160
 Salt Lake City, UT 877-857-7840
 Nashville, TN 800-784-0356

Stock Availability Matrix

| Color Name | ULTRA-COOL RATINGS | | | G90 Galvanized/AZ50 Galvalume | | | | | | | | Aluminum | |
|--------------------------|--------------------|-------|-----|-------------------------------|--------|-----|--------|-----|-----------|-----|--------|----------|-------|
| | Reflect | Emiss | SRI | 22 ga. | 24 ga. | | 26 ga. | | 26 ga. 3D | | 28 ga. | 0.032 | 0.040 |
| Acrylic Coated Galvalume | N/A | N/A | N/A | 48" | 40" | 48" | 40" | 48" | 40" | 48" | 42" | 48" | 48" |
| Aged Copper | 35.1% | 0.84 | 36 | | * | * | | | | | * | | |
| Almond | 64.2% | 0.84 | 76 | * | * | * | | | | | * | * | * |
| Antique Ivory | N/A | N/A | N/A | | | | * | | | | * | | |
| Ash Gray | 51.1% | 0.85 | 58 | | | * | | * | | | | | |
| Bone White | 70.1% | 0.85 | 85 | * | * | * | * | * | * | * | * | * | * |
| Bright White | 67.8% | 0.84 | 81 | | | * | | | | | | | |
| Burgundy | 32.5% | 0.84 | 33 | | * | * | * | * | * | * | | | |
| Burnished Slate | 28.1% | 0.85 | 27 | | * | * | * | * | * | * | | | |
| Champagne | 39.2% | 0.85 | 42 | | | * | | | | | | | |
| Charcoal Gray | 26.5% | 0.85 | 25 | * | * | * | * | * | * | * | * | * | * |
| Cityscape | 48.6% | 0.85 | 55 | | | * | | | | | | | |
| Classic Green | 27.1% | 0.84 | 25 | | * | * | * | * | * | * | * | * | * |
| Colonial Red | 29.9% | 0.84 | 29 | | * | * | * | * | * | * | * | * | * |
| Copper Penny | 46.9% | 0.85 | 53 | | * | * | * | * | * | * | * | * | * |
| Dark Bronze | 23.8% | 0.85 | 22 | * | * | * | * | * | * | * | * | * | * |
| Deep Black | 26.7% | 0.84 | 25 | * | * | * | * | * | * | * | * | * | * |
| Extra Dark Bronze | N/A | N/A | N/A | | * | * | * | * | * | * | * | * | * |
| Hartford Green | 29.9% | 0.85 | 29 | * | * | * | * | * | * | * | * | * | * |
| Hemlock Green | 36.4% | 0.84 | 38 | | * | * | * | * | * | * | * | * | * |
| Mansard Brown | 27.1% | 0.85 | 26 | * | * | * | * | * | * | * | * | * | * |
| Matte Black | 26.1% | 0.85 | 25 | * | * | * | * | * | * | * | * | * | * |
| Medium Bronze | 33.1% | 0.85 | 34 | * | * | * | * | * | * | * | * | * | * |
| Musket Gray | 34.1% | 0.84 | 35 | | * | * | * | * | * | * | * | * | * |
| Pebble Clay | 46.5% | 0.84 | 52 | | * | * | * | * | * | * | * | * | * |
| Regal Red | 39.1% | 0.85 | 42 | | | * | | | | | | | |
| Royal Blue | 29.1% | 0.85 | 29 | | * | * | | | | | | | |
| Sandstone | 61.9% | 0.84 | 73 | * | | | | | | | | | |
| Sierra Tan | 48.2% | 0.84 | 54 | | * | * | * | * | * | * | * | * | * |
| Silver | 56.2% | 0.85 | 65 | | * | * | | | | | | | |
| Slate Blue | 31.8% | 0.85 | 32 | | * | * | | | | | | | |
| Slate Gray | 38.6% | 0.84 | 41 | * | * | * | * | * | * | * | * | * | * |
| Stone White | 68.3% | 0.85 | 82 | | | * | | | | | | | |
| Teal | 29.9% | 0.85 | 30 | | * | * | | | | | | | |
| Terra Cotta | 41.8% | 0.84 | 45 | | * | * | * | * | * | * | * | * | * |
| Vintage | 30.0% | 0.07 | 22 | | * | * | | | | | | | |
| Weathered Zinc | 39.6% | 0.84 | 42 | | * | * | | | | | | | |
| Western Rust | 24.0% | 0.87 | 23 | | * | * | | | | | | | |