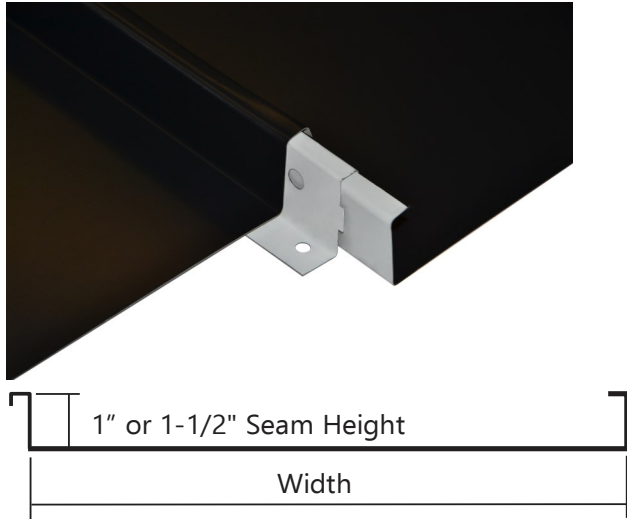
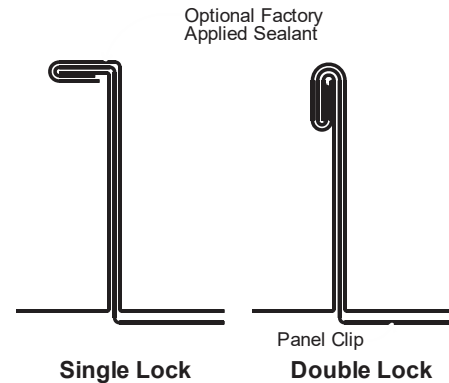


The Sure-Lok Panel has a traditional look with a time proven seam profile. This versatile panel allows designers aesthetic flexibility without compromising the integrity of the roof system. From low to steep slope, straight to curved, structural to architectural applications, the Sure-Lok Panel is the perfect choice for a multifaceted project.



Sure-Lok Panel Profile

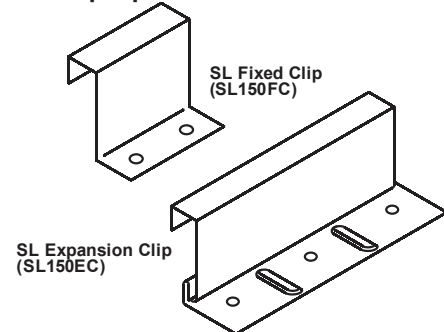
Optional Seam Profiles



Single Lock

Double Lock

Clip Options



- Architectural (solid substrate) or structural (open framing) applications.
- Mechanically seamed sidelap with option of single or double lock.
- Low slope less than 3:12 available with optional in-seam sealant.
- Slopes down to 2:12.
- Continuous panel lengths. Field forming available.
- ASTM E-1680-95 air infiltration tested.
- ASTM E-1646-95 water penetration tested.
- ASTM E-1592 tested for structural performance.
- UL90 uplift resistance classified assemblies.
- Curving: Sure-Lok Panel can be curved to a minimum radius of 9'-0" in steel and 4'-0" in aluminum and copper.
- Surface patterns include smooth, striated, pencil ribs, and bead ribs.

MATERIAL	1-1/2" SEAM HEIGHT	1" SEAM HEIGHT
	STANDARD / OPTIONAL	STANDARD / OPTIONAL
24 ga. Steel	16" / Optional Widths Available	17" / Optional Widths Available
22 ga. Steel	16" / Optional Widths Available	17" / Optional Widths Available
.032" Aluminum	12" / Optional Widths Available	13" / Optional Widths Available
16 oz Copper	16" / Optional Widths Available	17" / Optional Widths Available
20 oz Copper	16" / Optional Widths Available	17" / Optional Widths Available

