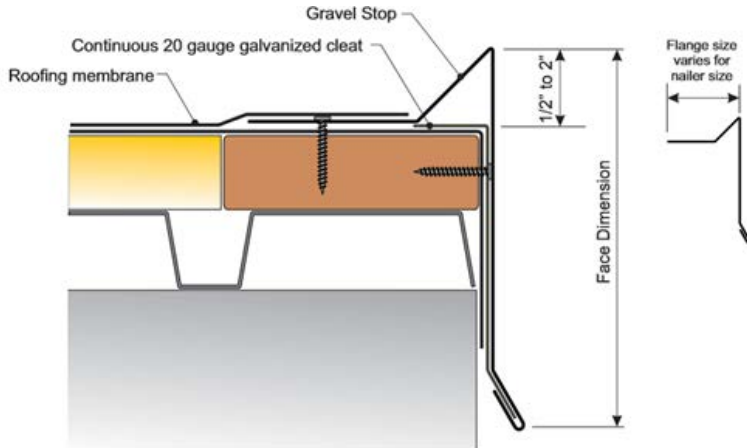




**EDGE SHIELD GRAVEL STOP  
SUBMITTAL FORM**

Project Name:  
Installing Contractor:  
General Contractor:  
Architect:  
Contact Email:



FACE"

**MATERIALS & COLORS**

24 Ga. Steel

Standard Colors:



22 Ga. Steel

Standard Colors:



.032" Aluminum

Standard Colors:



.040" Aluminum

Standard Colors:



.050" Aluminum

Standard Colors:



.063" Aluminum

Standard Colors:



*\*Contact MPS for additional available colors*

**ACCESSORIES**

**Inside Corners:**

**Outside Corners:**

**End Cap - Right:**

**End Cap - Left:**

**End Term Right:**

**End Term Left:**

**Special Corners:**

**\*Other:**

*\*ATTACH DRAWING FOR SPECIAL ITEMS*

\*APPLICABLE WITH MOST ROOFING SYSTEMS

\*INSTALLATION WITH CONTINUOUS 20 GA. GALVANIZED CLEAT

\*PRE-PUNCHED HOLES FOR PROPER FASTENER PLACEMENT

\*CONCEALED SPLICE SPLATES (OPTIONAL)

\*35 YEAR FINISH WARRANTY

\*STANDARD PVDF FLUOROPOLYMER FINISH

\*PREMIUM COLORS INCUR ADDITIONAL COST