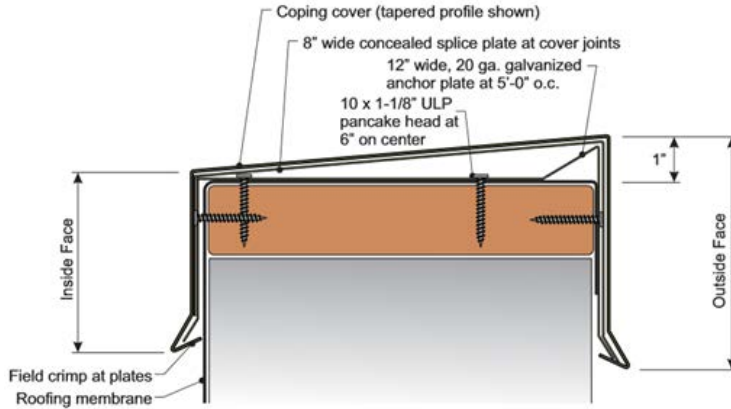


Project Name:
 Installing Contractor:
 General Contractor:
 Architect:
 Contact Email:

TOTAL LF

BACK"



FRONT"

WIDEST WALL DIMENSION

MATERIALS & COLORS

- 24 Ga. Steel
Standard Colors:
- 22 Ga. Steel
Standard Colors:
- .032" Aluminum
Standard Colors:
- .040" Aluminum
Standard Colors:
- .050" Aluminum
Standard Colors:
- .063" Aluminum
Standard Colors:

**Contact MPS for additional available colors*

ACCESSORIES

- Inside Corners:**
- Outside Corners:**
- End Cap - Right:**
- End Cap - Left:**
- End Term Right:**
- End Term Left:**
- Special Corners:**
- *Other:**
- *ATTACH DRAWING FOR SPECIAL ITEMS*

TAPERED

FLAT

- *FABRICATED FOR WALL WIDTHS FROM 6" TO 24" WIDE
- *CONCELAED SPLICE PLATES
- *20 YEAR FINISH WARRANTY
- *STANDARD FINISH IS PVDF FLUOROPOLYMER COATING IN 30 STANDARD AND METALLIC COLORS
- *INTERNATIONAL BUILDING CODE (IBC 2003 & 2006) COMPLIANT
- *PREMIUM COLORS INCUR ADDITIONAL COST