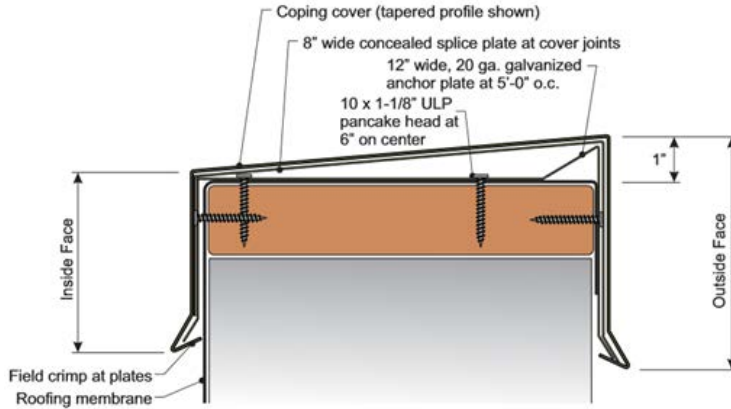


Project Name:  
 Installing Contractor:  
 General Contractor:  
 Architect:  
 Contact Email:

TOTAL LF

BACK"



FRONT"

WIDEST WALL DIMENSION

**MATERIALS & COLORS**

- 24 Ga. Steel  
 Standard Colors:
- 22 Ga. Steel  
 Standard Colors:
- .032" Aluminum  
 Standard Colors:
- .040" Aluminum  
 Standard Colors:
- .050" Aluminum  
 Standard Colors:
- .063" Aluminum  
 Standard Colors:

*\*Contact MPS for additional available colors*

**ACCESSORIES**

- Inside Corners:**
- Outside Corners:**
- End Cap - Right:**
- End Cap - Left:**
- End Term Right:**
- End Term Left:**
- Special Corners:**
- \*Other:**

*\*ATTACH DRAWING FOR SPECIAL ITEMS*

TAPERED

FLAT

- \*CRIMPLOCK INSTALLATION TO 20 GA. GALVANIZED STEEL PRE-PUNCHED ANCHOR PLATES AT 5'-0" O.C.
- \*CONCEALED SPLICE PLATES
- \*FABRICATED FOR WALL WIDTHS FROM 6" TO 2" WIDE
- \*STANDARD FINISH IS PVDF FLUOROPOLYMER COATING IN 30 STANDARD AND METALLIC COLORS
- \*20 YEAR FINISH WARRANTY
- \*PREMIUM COLORS INCUR ADDITIONAL COST