

# MIG-6 CONTINUOUS GUTTER



## Commercial Grade Downspout

### OVERVIEW

**PRODUCT:** Mig-6 gutter system is a heavy duty commercial grade gutter system. The profile is a decorative ogee style suited for most architectural designs.

**APPLICATION:** All types of construction including commercial, industrial, and residential. For both steep sloped or flat roof systems.

**ATTACHMENT:** Mig-6 gutter is to be installed with 16 ga. Galvanized steel hangers at 24" o.c.

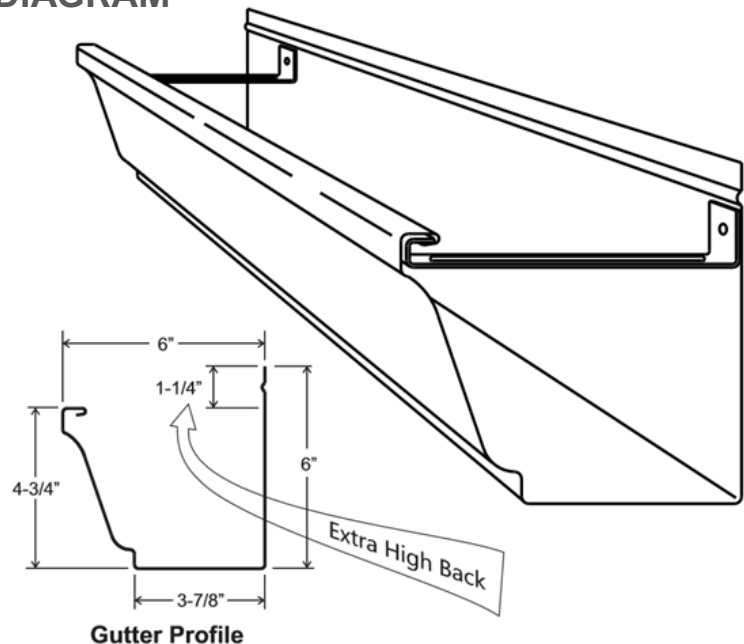
**LENGTHS:** Gutter sections are factory formed in lengths up to 53'-0" long

**MATERIALS:** Mig-6 gutter is available in heavy duty 24 ga. steel, .032" aluminum, 20 oz. copper, or 16 oz. copper.

**KYNAR 500 FINISH:** Standard material finish is premium fluoropolymer coatings produced with full strength Kynar 500 or Hylar 500 resin. Full strength Kynar 500 or Hylar 500 finishes carry a 20 year guarantee against cracking, peeling, and fade (not to exceed 5 N.B.S. units). These are the highest exterior grade finishes available

### DIAGRAM

| Materials Available |
|---------------------|
| 24 Ga. Steel        |
| .032" Aluminum      |
| 16 oz. Copper       |
| 20 oz. Copper       |



### PRODUCT FEATURES

- Commercial grade roll-formed gutters
- Kynar 500 finish
- Available in any length up to 53'
- Easy to install, 16 gauge hidden hanger
- Ability to match color/material of standing seam metal roof system