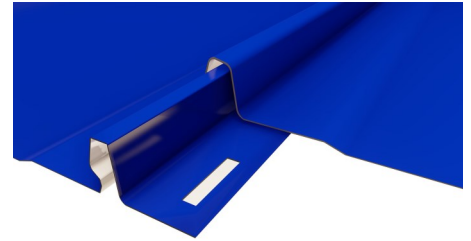


NS-100 PANEL

Standing Seam Series

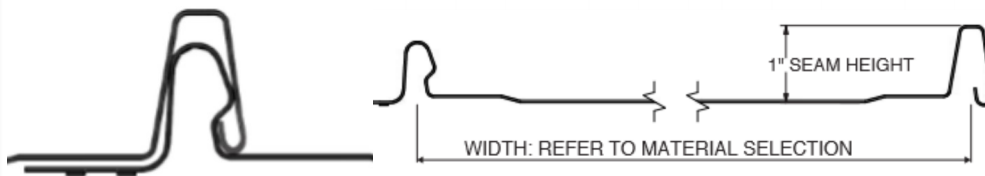


OVERVIEW

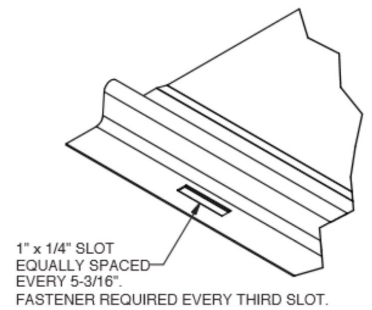
The NS-100 Panel is a cost-effective concealed fastener panel with a continuous integral locking seam that does not require the use of separate clips.

DIAGRAMS

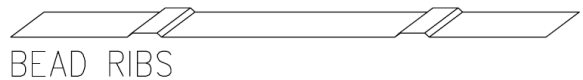
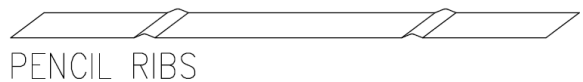
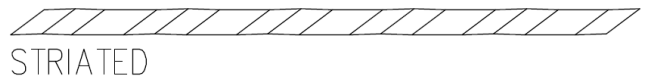
Seam Profile



Nail Strip Detail



MATERIAL	STANDARD WIDTHS	OPTIONAL WIDTHS
Silicone Modified Polyester Finish		
26 ga. Steel	16"	12", 20"
Kynar Finish		
24 ga. Steel	16"	12", 20"
.032" Aluminum	16"	12", 20"
Unfinished		
26 ga. Galvalume	16"	12", 20"
24 ga. Galvalume	16"	12", 20"
16 oz. Copper	16"	12", 20"



PRODUCT FEATURES

- Architectural panel installed over solid substrate
- Integral snap-lock design provides continuous interlock at sidalap
- Applicable for roof slopes as low as 3:12
- May also be utilized in vertical wall and fascia systems installations
- Continuous panel lengths
- No panel clips required (fasteners only)
- Standard silicone-modified polyester finish (30 year warranty) available in 12 standard colors
- Optional Kynar finish (35 year warranty) is available
- Surface patterns include smooth, striated, pencil ribs, and bead ribs