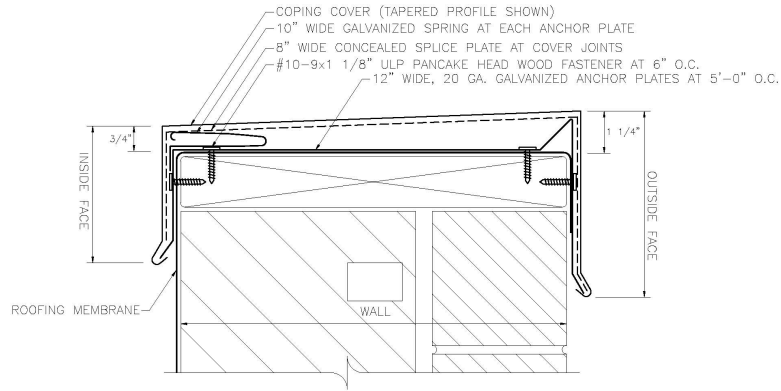


Project Name:
 Installing Contractor:
 General Contractor:
 Architect:
 Contact Email:



TOTAL LF

BACK (IN")



MOC3 COPING SYSTEM - TAPERED

WALL WIDTH (IN")

FRONT (IN")

MATERIALS & COLORS

24 Ga. Steel
 Standard Colors:

22 Ga. Steel
 Standard Colors:

.032" Aluminum
 Standard Colors:

.040" Aluminum
 Standard Colors:

.050" Aluminum
 Standard Colors:

.063" Aluminum
 Standard Colors:

**Contact MPS for additional available colors*

ACCESSORIES

Inside Corners:

Outside Corners:

End Cap - Right:

End Cap - Left:

End Term Right:

End Term Left:

Special Corners:

***Other:**

**ATTACH DRAWING FOR SPECIAL ITEMS*

TAPERED

FLAT

- *FABRICATED FOR WALL WIDTHS FROM 6" TO 24" WIDE
- *CONCEALED SPLICE PLATES
- *20 YEAR FINISH WARRANTY
- *STANDARD FINISH IS PVDF FLUOROPOLYMER COATING IN 30 STANDARD AND METALLIC COLORS
- *INTERNATIONAL BUILDING CODE (IBC 2003 & 2006) COMPLIANT
- *PREMIUM COLORS ICUR ADDITIONAL COST

Signature of Approval: