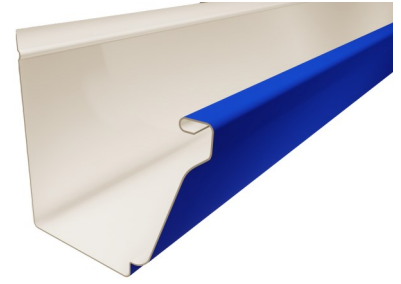


MIG-6 CONTINUOUS GUTTER

Commercial Grade Gutter



OVERVIEW

PRODUCT: Mig-6 gutter system is a heavy duty commercial grade gutter system. The profile is a decorative ogee style suited for most architectural designs.

APPLICATION: All types of construction including commercial, industrial, and residential. For both steep sloped or flat roof systems.

ATTACHMENT: Mig-6 gutter is to be installed with 16 ga. Galvanized steel hangers at 24" o.c.

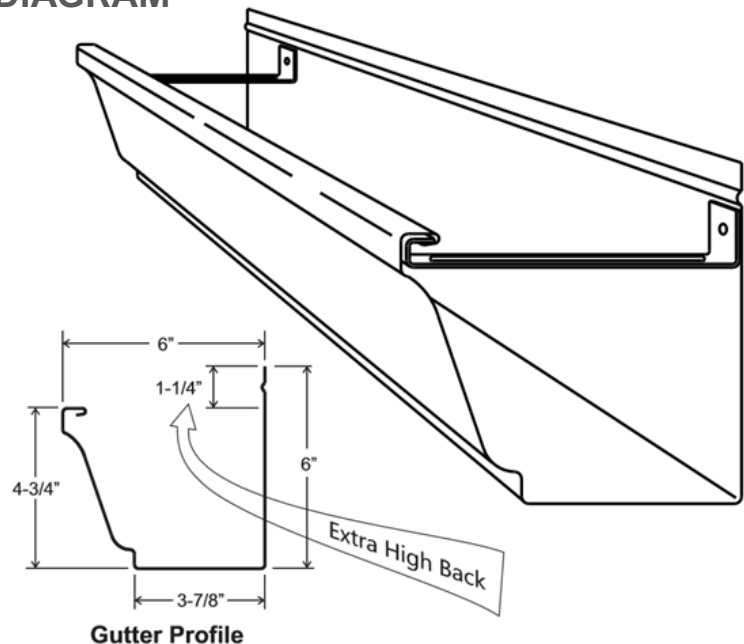
LENGTHS: Gutter sections are factory formed in lengths up to 53'-0" long

MATERIALS: Mig-6 gutter is available in heavy duty 24 ga. steel, .032" aluminum, 20 oz. copper.

KYNAR 500 FINISH: Standard material finish is premium fluoropolymer coatings produced with full strength Kynar 500 or Hylar 500 resin. Full strength Kynar 500 or Hylar 500 finishes carry a 20 year guarantee against cracking, peeling, and fade (not to exceed 5 N.B.S. units). These are the highest exterior grade finishes available

DIAGRAM

Materials Available
24 Ga. Steel
.032" Aluminum
20 oz. Copper



PRODUCT FEATURES

- Commercial grade roll-formed gutters
- Kynar 500 finish
- Available in any length up to 53'
- Easy to install, 16 gauge hidden hanger
- Ability to match color/material of standing seam metal roof system