

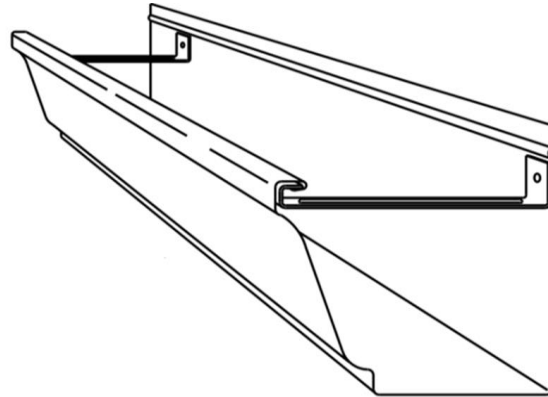
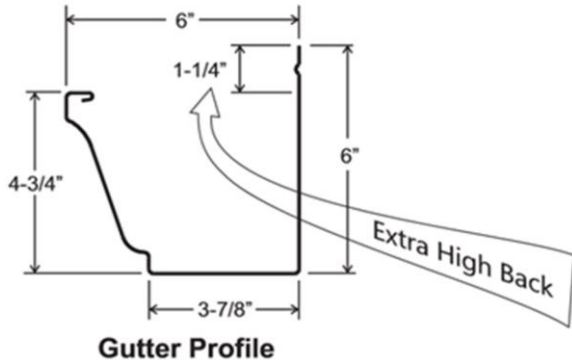


# METAL Panel Systems

Architectural Sheet Metal

## MIG-6 SUBMITTAL FORM

Project Name:  
 Installing Contractor:  
 General Contractor:  
 Architect:  
 Contact Email:



### MATERIALS

24 Ga. Steel  
 Standard Colors:

.032" Aluminum  
 Standard Colors:

20 oz. Copper

### QUANTITIES

Hidden Hanger: \_\_\_\_\_ Total  
 Outside Miters: \_\_\_\_\_ at 90 Degrees  
 Inside Miters: \_\_\_\_\_ at 90 Degrees  
 Right End Caps: \_\_\_\_\_ Each  
 Left End Caps: \_\_\_\_\_ Each  
 Expansion Joints: \_\_\_\_\_ Each  
 Ext. Support Brackets: \_\_\_\_\_ Each  
 (Painted Yes No )

### Gutter Quantity

Quantity \_\_\_\_\_ Length \_\_\_\_\_  
 Quantity \_\_\_\_\_ Length \_\_\_\_\_  
 Quantity \_\_\_\_\_ Length \_\_\_\_\_  
 Quantity \_\_\_\_\_ Length \_\_\_\_\_  
 Quantity \_\_\_\_\_ Length \_\_\_\_\_  
 Quantity \_\_\_\_\_ Length \_\_\_\_\_

**PRODUCT:** Mig-6 gutter system is a heavy duty commercial grade gutter system. The profile is a decorative ogee style suited for most architectural designs.

**APPLICATION:** All types of construction including commercial, industrial, and residential. For both steep sloped or flat roof systems.

**ATTACHMENT:** Mig-6 gutter is to be installed with 16 ga. Galvanized steel hangers at 24" o.c.

**LENGTHS:** Gutter sections are factory formed in lengths up to 53'-0" long.

**MATERIALS:** Mig-6 gutter is available in heavy duty 24 ga. steel, .032" aluminum, 20 oz. copper

**KYNAR 500 FINISH:** Standard material finish is premium fluoropolymer coatings produced with full strength Kynar 500 or Hylar 500 resin. Full strength Kynar 500 or Hylar 500 finishes carry a 20 year guarantee against cracking, peeling, and fade (not to exceed 5 N.B.S. units). These are the highest exterior grade finishes available.

**Signature of Approval:**