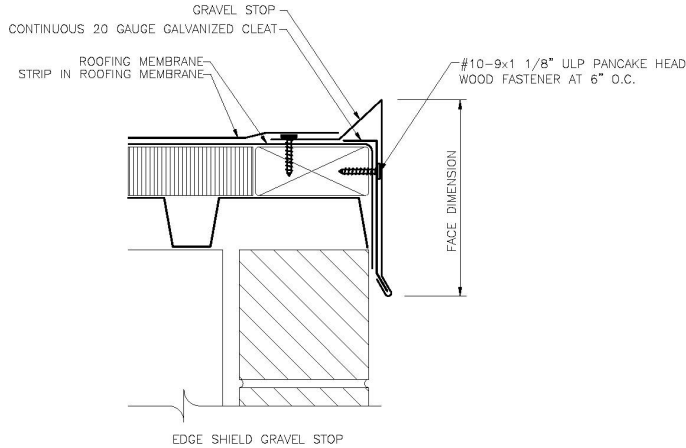




METAL
Panel Systems
Architectural Sheet Metal

EDGE SHIELD GRAVEL STOP
SUBMITTAL FORM

Project Name:
Installing Contractor:
General Contractor:
Architect:
Contact Email:



FACE (IN")

MATERIALS & COLORS

24 Ga. Steel
Standard Colors:

22 Ga. Steel
Standard Colors:

.032" Aluminum
Standard Colors:

.040" Aluminum
Standard Colors:

.050" Aluminum
Standard Colors:

.063" Aluminum
Standard Colors:

**Contact MPS for additional available colors*

**Aluminum & Copper available in limited quantities, please call for further availability*

ACCESSORIES

- Inside Corners:**
- Outside Corners:**
- End Cap - Right:**
- End Cap - Left:**
- End Term Right:**
- End Term Left:**
- Special Corners:**
- *Other:**

**ATTACH DRAWING FOR SPECIAL ITEMS*

- *APPLICABLE WITH MOST ROOFING SYSTEMS
- *INSTALLATION WITH CONTINUOUS 20 GA. GALVANIZED CLEAT
- *PRE-PUNCHED HOLES FOR PROPER FASTENER PLACEMENT
- *CONCEALED SPLICE SPLATES (OPTIONAL)
- *35 YEAR FINISH WARRANTY
- *STANDARD PVDF FLUOROPOLYMER FINISH
- *PREMIUM COLORS INCUR ADDITIONAL COST

Signature of Approval: