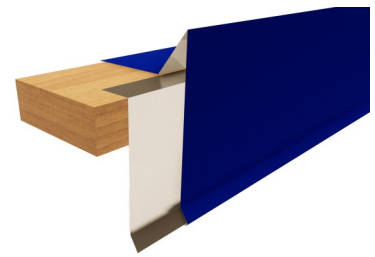
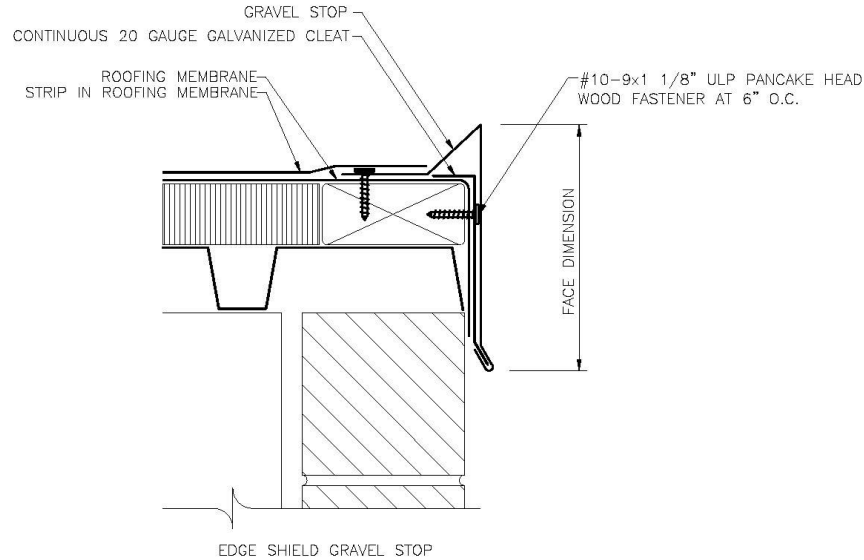


# EDGESHIELD GRAVEL STOP

Edge Metal Series



## DIAGRAM



Material Options
24 ga. (0.63 mm) galvalume steel
22 ga. (0.76 mm) galvalume steel
24 ga. (0.063 mm) stainless steel
.032" (0.8 mm) aluminum
.040" (1.0 mm) aluminum
.050" (1.2 mm) aluminum
.063" (1.5 mm) aluminum



International Building Code Requirement: 2003 IBC-1504.5: "Edge securement for low-slope roofs. Low slope membrane roof systems metal edge securement, except gutters, installed in accordance with Section 1507, shall be designated in accordance with ANSI/SPRI ES-1, except the basic wind speed shall be determined from Figure 1609."

Material Options
Standard Kynar 500 colors (see color chart for availability)
Custom Kynar colors
Plain galvanized steel or "paintgrip"
Mill finish aluminum
Anodized aluminum
2B finish stainless

\*Aluminum & Copper available in limited quantities, please call for further availability

## PRODUCT FEATURES

- Compatible with most roofing systems
- Installation with continuous 20 gauge galvanized cleat
- Pre-punched holes for proper fastener placement
- Meets ANSI/APRI ES-1 standard
- Complies with International Building Code
- Concealed splice plates (optional)
- Flange dimension fabricated to suit roofing system requirements
- Standard finish is PVDF fluoropolymer coating in 30 standard colors
- 35 year finish warranty