

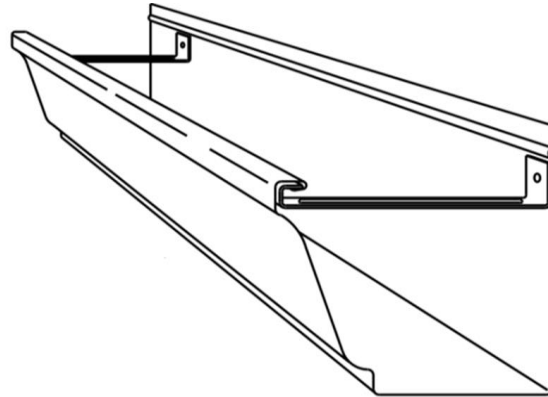
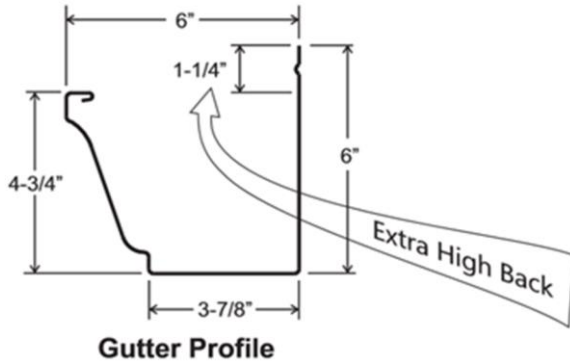


METAL Panel Systems

Architectural Sheet Metal

MIG-6 SUBMITTAL FORM

Project Name:
 Installing Contractor:
 General Contractor:
 Architect:
 Contact Email:



MATERIALS

24 Ga. Steel
 Standard Colors:

.032" Aluminum
 Standard Colors:

20 oz. Copper

*Aluminum & Copper available in limited quantities, please call for further availability

QUANTITIES

Hidden Hanger: _____ Total
 Outside Miters: _____ at 90 Degrees
 Inside Miters: _____ at 90 Degrees
 Right End Caps: _____ Each
 Left End Caps: _____ Each
 Expansion Joints: _____ Each
 Ext. Support Brackets: _____ Each
 (Painted Yes No)

Gutter Quantity

Quantity _____ Length _____
 Quantity _____ Length _____
 Quantity _____ Length _____
 Quantity _____ Length _____
 Quantity _____ Length _____
 Quantity _____ Length _____

PRODUCT: Mig-6 gutter system is a heavy duty commercial grade gutter system. The profile is a decorative ogee style suited for most architectural designs.

APPLICATION: All types of construction including commercial, industrial, and residential. For both steep sloped or flat roof systems.

ATTACHMENT: Mig-6 gutter is to be installed with 16 ga. Galvanized steel hangers at 24" o.c.

LENGTHS: Gutter sections are factory formed in lengths up to 53'0" long

MATERIALS: Mig-6 gutter is available in heavy duty 24 ga. steel, .032" aluminum, 20 oz. copper.

KYNAR 500 FINISH: Standard material finish is premium fluoropolymer coatings produced with full strength Kynar 500 or Hylar 500 resin. Full strength Kynar 500 or Hylar 500 finishes carry a 20 year guarantee against cracking, peeling, and fade (not to exceed 5 N.B.S. units). These are the highest exterior grade finishes available

Signature of Approval: