

# MIG-7 CONTINUOUS GUTTER

## Commercial Grade Gutter



### OVERVIEW

**PRODUCT:** Mig-7 gutter system is a heavy duty commercial grade gutter system. The profile is a rectangular style (SMACNA Style D) commercial design.

**APPLICATION:** : Commercial or industrial applications. For both steep sloped or flat roof systems.

**ATTACHMENT:** Mig-7 gutter is to be installed with 16 ga. galvanized steel hangers at 24" o.c. for straight-back and 36" o.c. for flange-back.

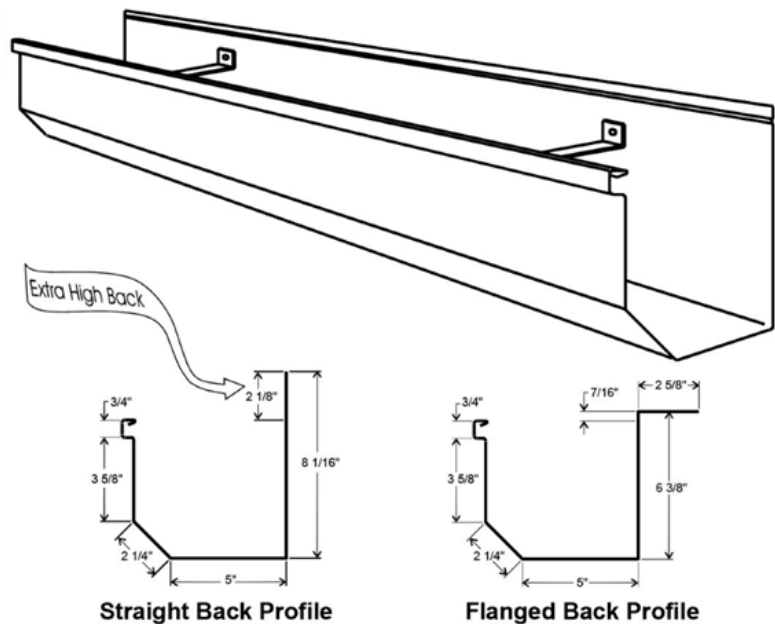
**LENGTHS:** Gutter sections are factory formed in lengths up to 53'-0" long.

**MATERIALS:** Mig-7 gutter is available in heavy duty 24 ga. steel, 22 ga. steel, .040" aluminum, 20 oz. copper.

**KYNAR 500 FINISH:** Standard material finish is premium fluoropolymer coatings produced with full strength Kynar 500 or Hylar 500 resin. Full strength Kynar 500 or Hylar 500 finishes carry a 20 year guarantee against cracking, peeling, and fade (not to exceed 5 N.B.S. units). These are the highest exterior grade finishes available

### DIAGRAM

Materials Available
24 Ga. Steel
22 Ga. Steel
.040" Aluminum
20 oz. Copper



\*Aluminum & Copper available in limited quantities, please call for further availability

### PRODUCT FEATURES

- Commercial grade roll-formed gutters
- Kynar 500 finish
- Available in any length up to 53'
- Easy to install, 16 gauge hidden hanger
- Ability to match color/material of standing seam metal roof system