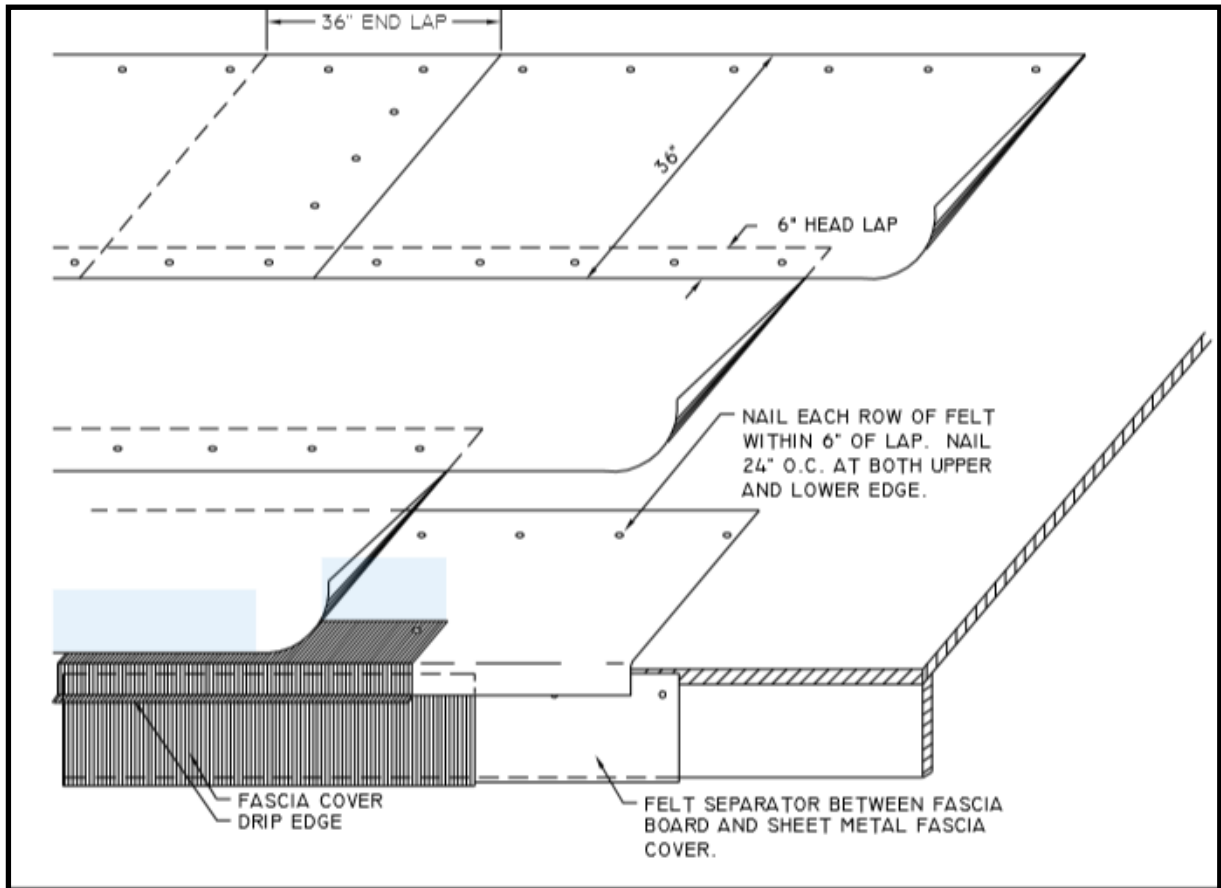
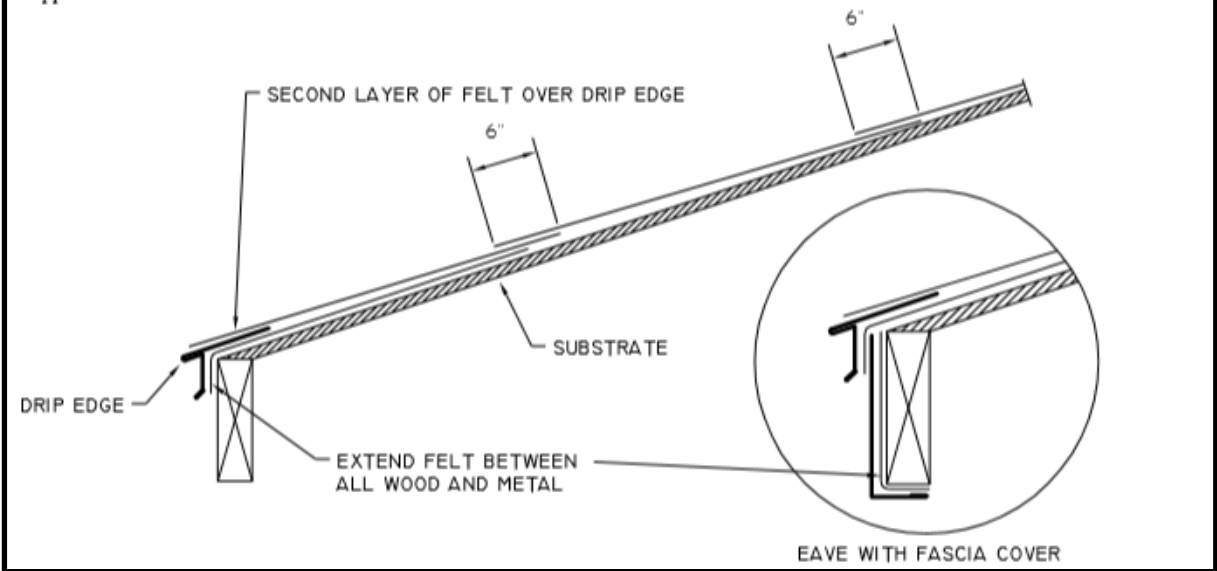


# METAL PANEL SYSTEMS



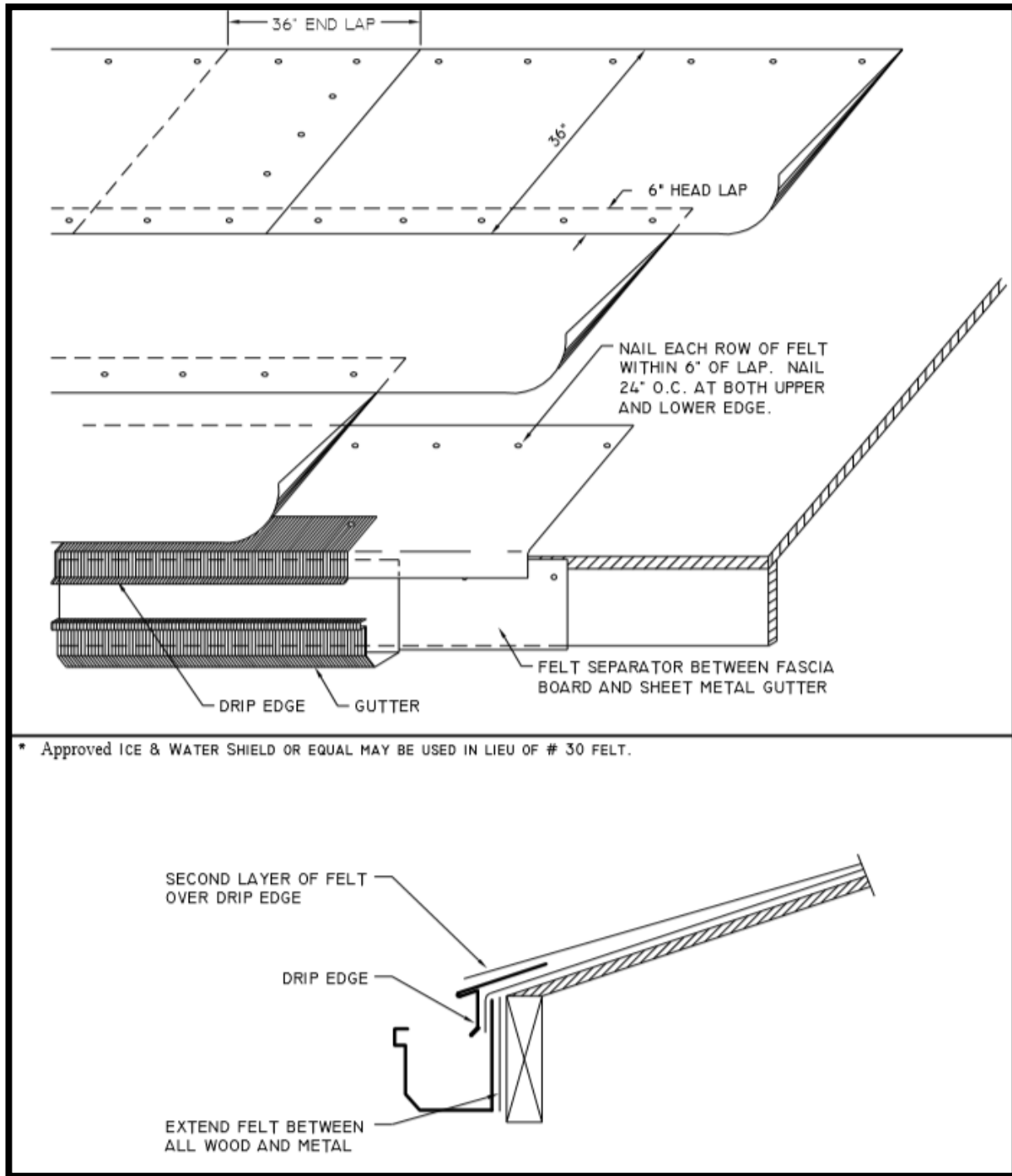
\* Approved ICE & WATER SHIELD OR EQUAL MAY BE USED IN LIEU OF # 30 FELT.



Description:	EAVE AND FIELD FELT	Detail Number:	UND-01
Substrate:	PLYWOOD SHEATHING	Date:	1/20/2020

Details and instructions subject to change without notice. Contact MPS for specific project details.

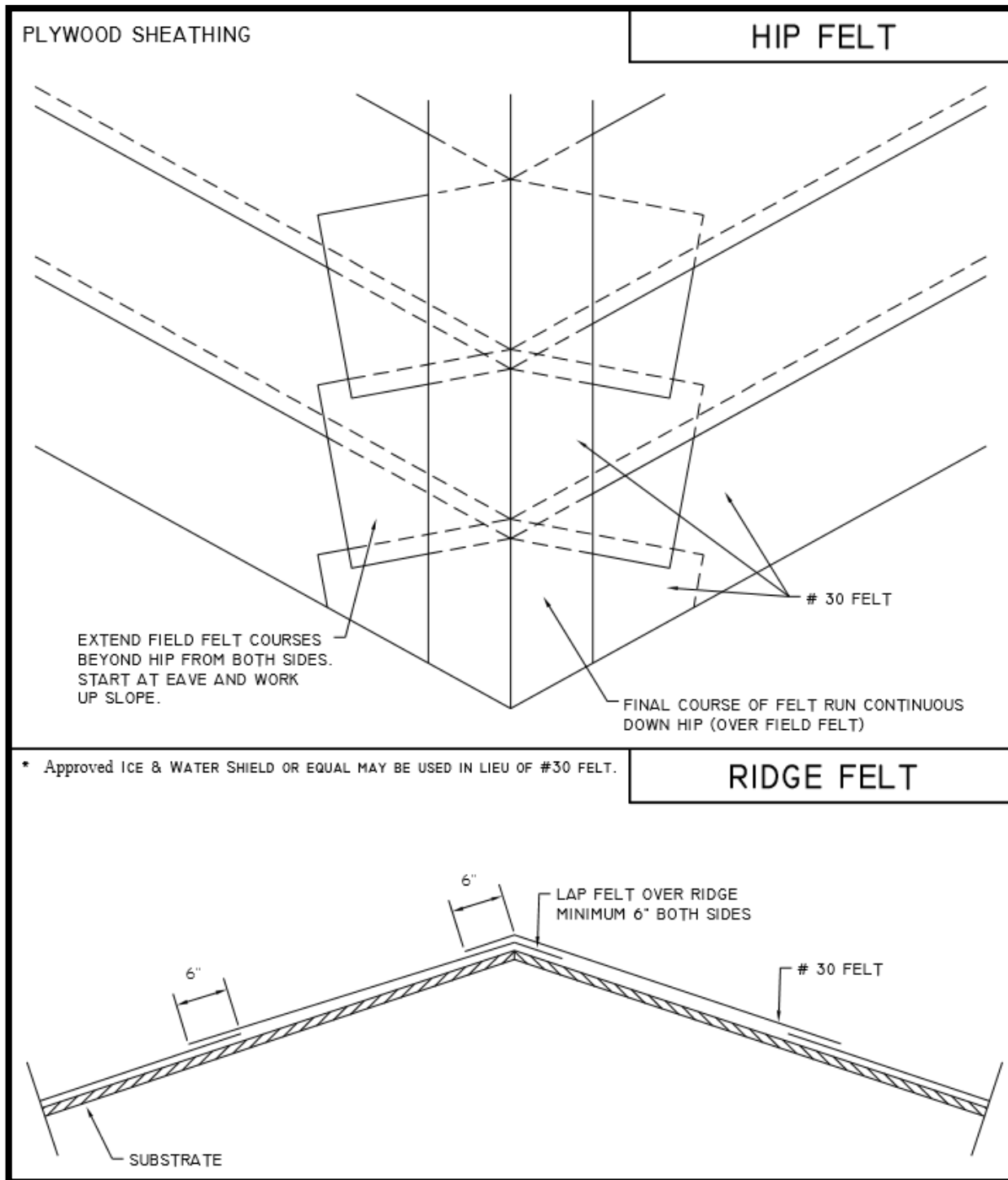
# METAL PANEL SYSTEMS



Description:	EAVE WITH GUTTER	Detail Number:	UND-02
Substrate:	PLYWOOD SHEATHING	Date:	1/20/2020

Details and instructions subject to change without notice. Contact MPS for specific project details.

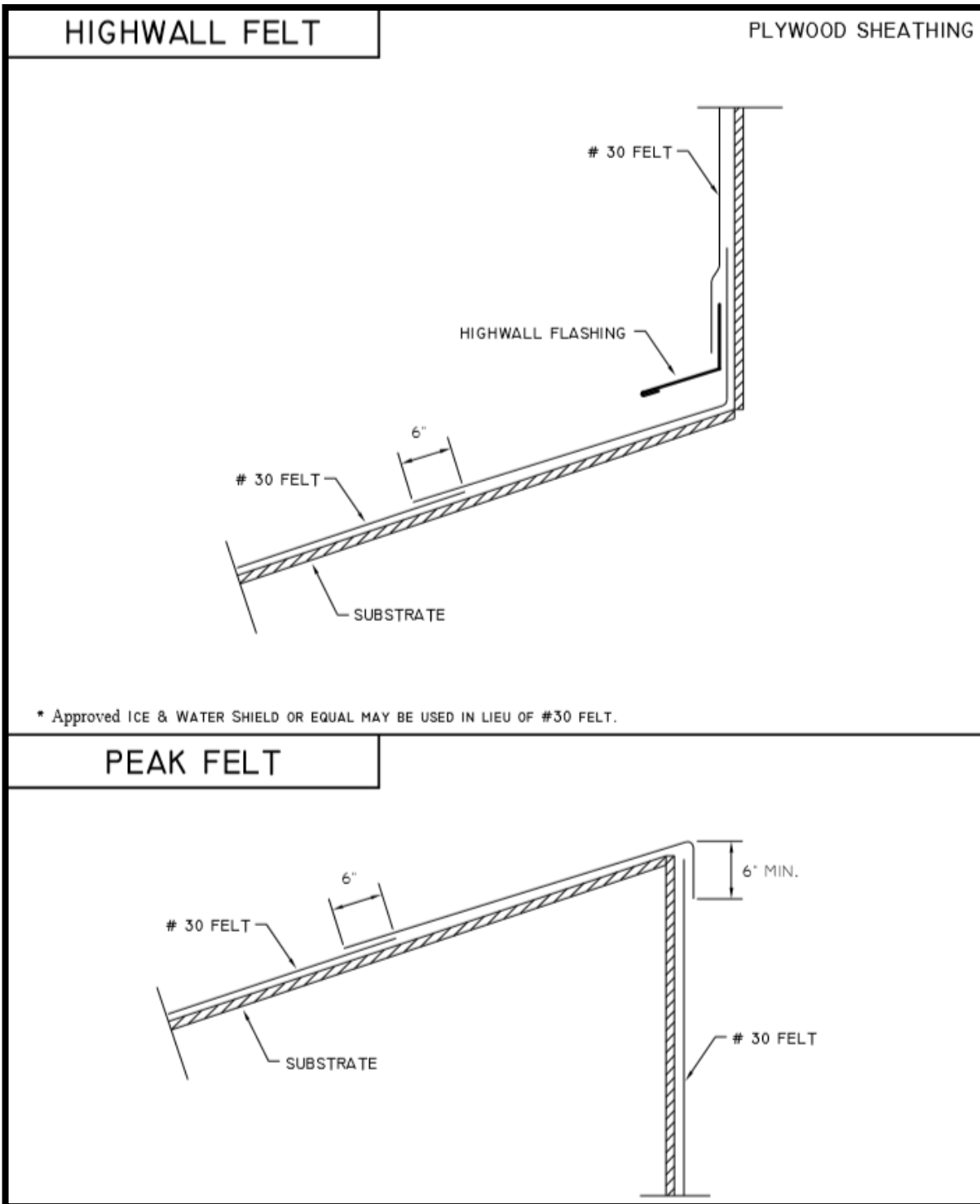
# METAL PANEL SYSTEMS



Description:	HIP AND RIDEGE FELT	Detail Number:	UND-03
Substrate:	PLYWOOD SHEATHING	Date:	1/20/2020

Details and instructions subject to change without notice. Contact MPS for specific project details.

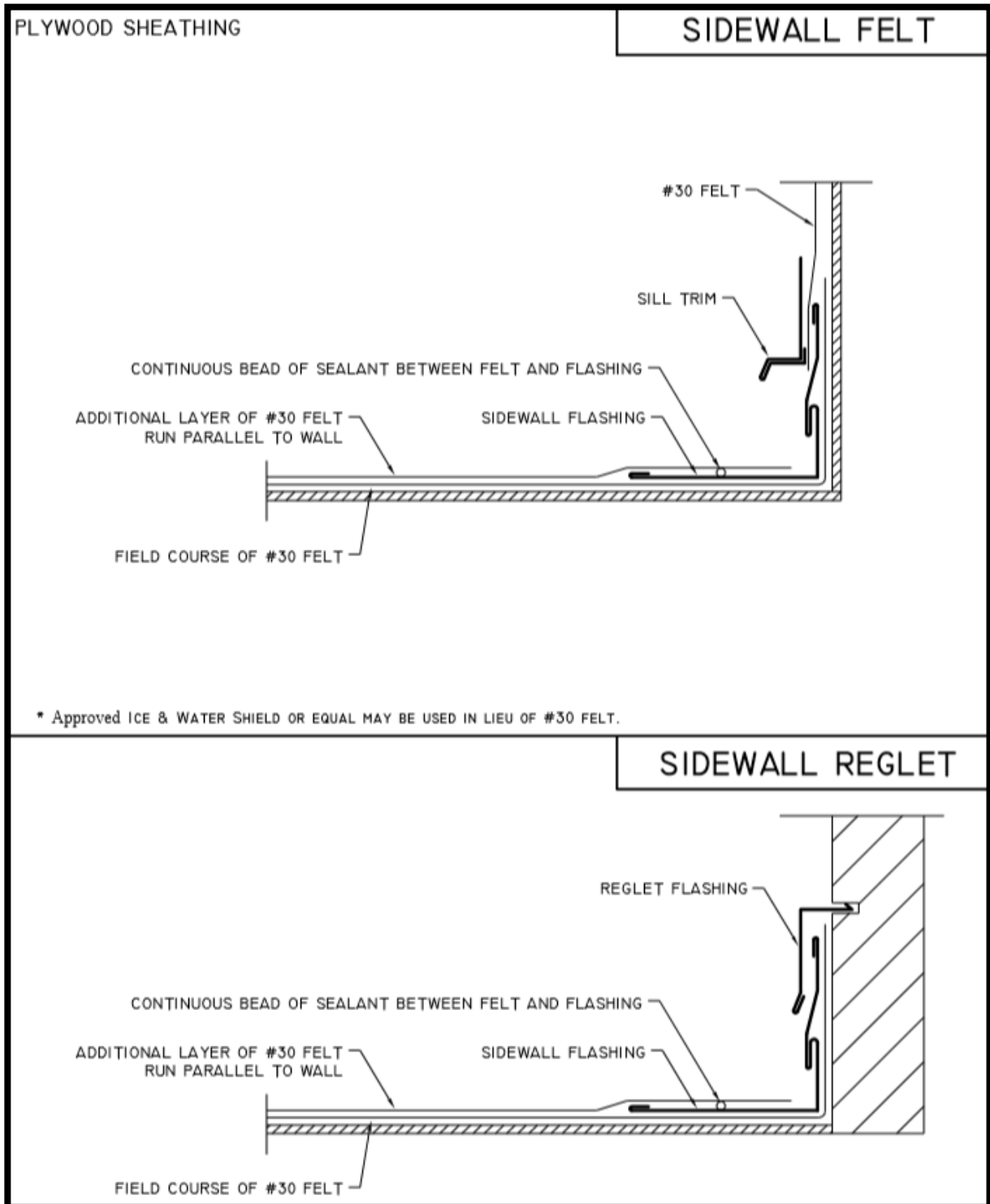
# METAL PANEL SYSTEMS



Description:	HIGHWALL AND PEAK FELT	Detail Number:	UND-04
Substrate:	PLYWOOD SHEATHING	Date:	1/20/2020

Details and instructions subject to change without notice. Contact MPS for specific project details.

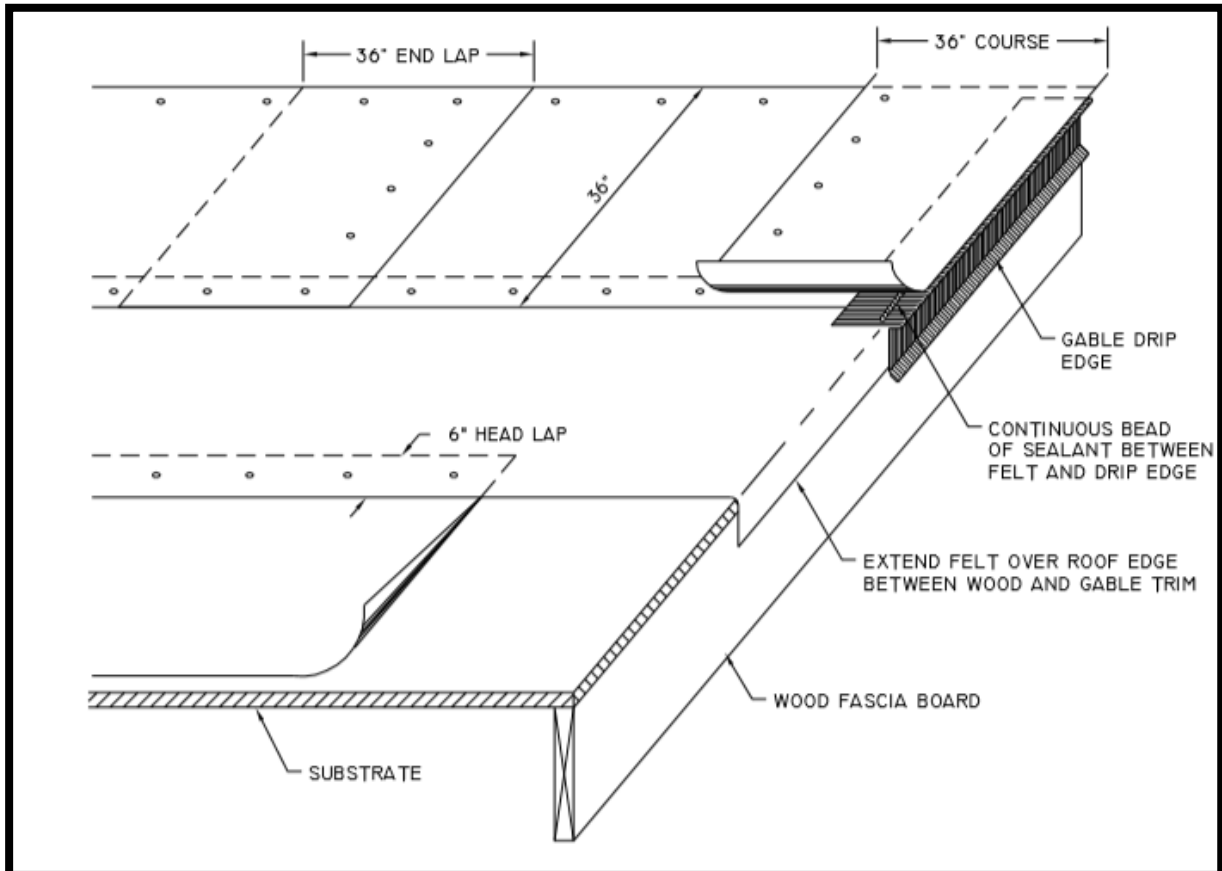
# METAL PANEL SYSTEMS



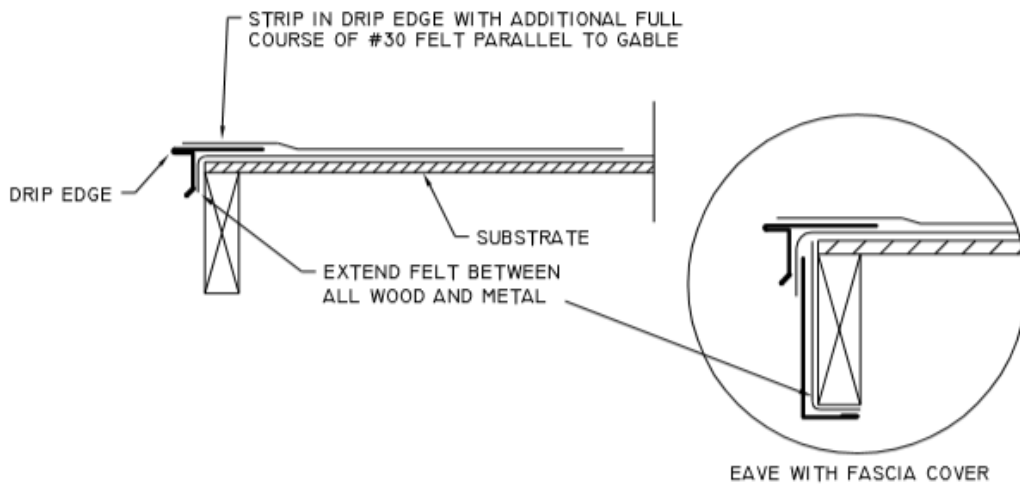
Description:	SIDEWALL FELT AND REGLET	Detail Number:	UND-05
Substrate:	PLYWOOD SHEATHING	Date:	1/20/2020

Details and instructions subject to change without notice. Contact MPS for specific project details.

# METAL PANEL SYSTEMS



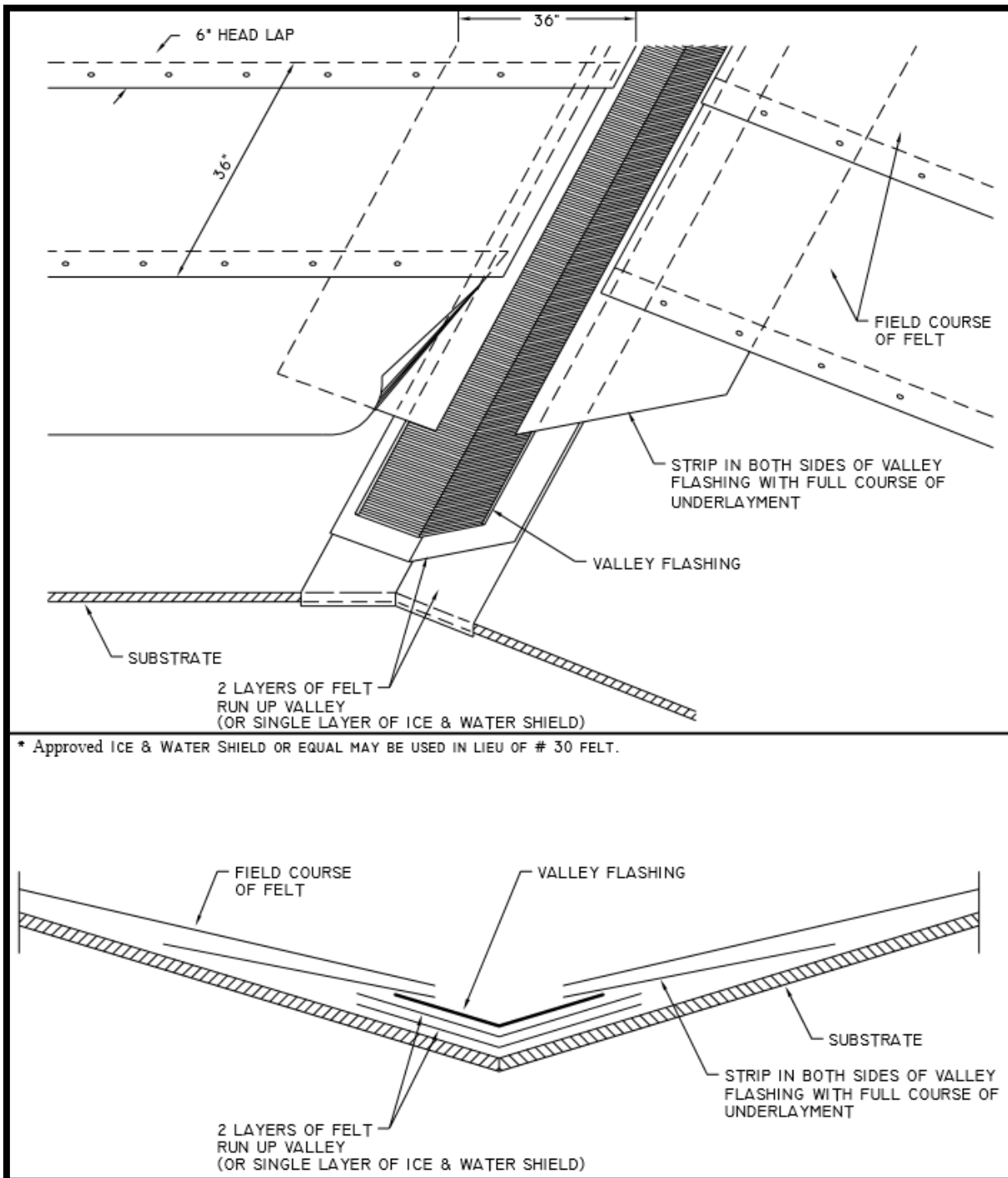
\* Approved ICE & WATER SHIELD OR EQUAL MAY BE USED IN LIEU OF # 30 FELT.



Description:	GABLE FELT	Detail Number:	UND-06
Substrate:	PLYWOOD SHEATHING	Date:	1/20/2020

Details and instructions subject to change without notice. Contact MPS for specific project details.

# METAL PANEL SYSTEMS



Description:	VALLEY FELT	Detail Number:	UND-07
Substrate:	PLYWOOD SHEATHING	Date:	1/20/2020

Details and instructions subject to change without notice. Contact MPS for specific project details.