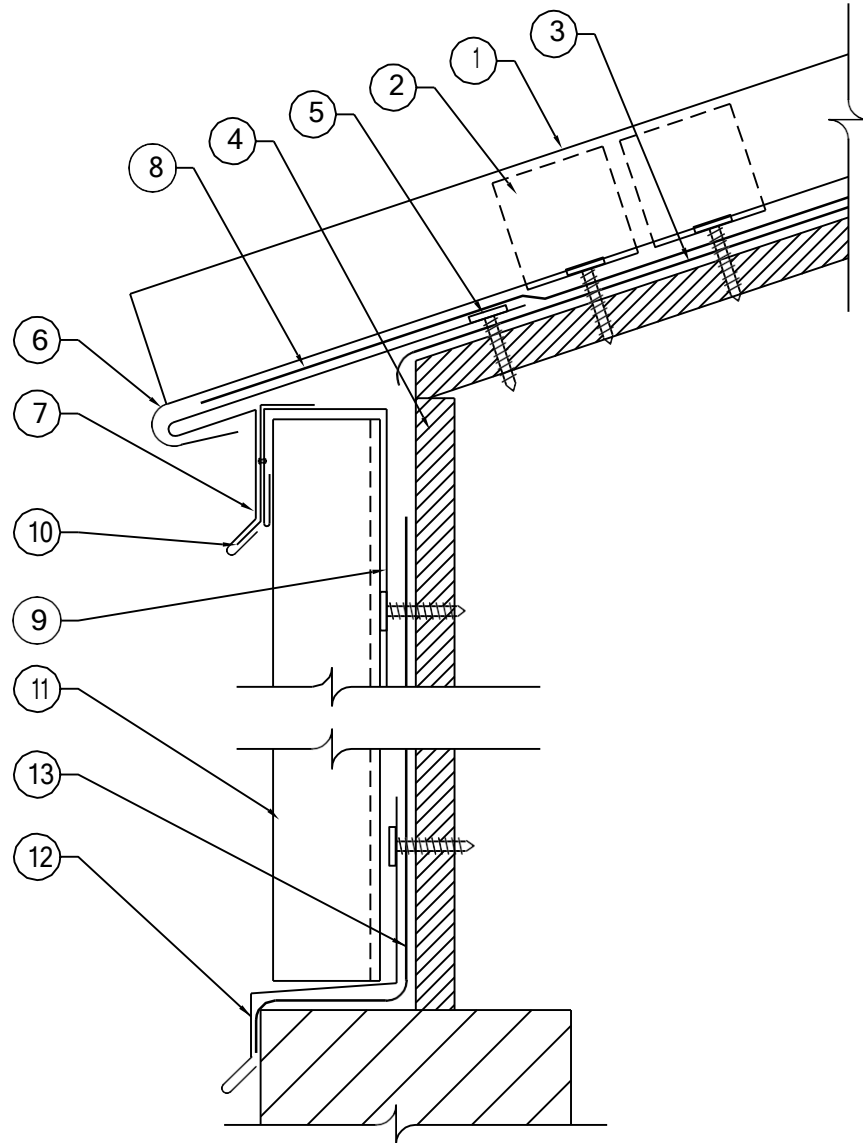


METAL PANEL SYSTEMS



- 1 MPS ROOF PANEL
- 2 MPS PANEL CLIP WITH FASTENER. INSTALL 2 CLIPS AT EAVE TYPICAL
- 3 ONE LAYER OF MPS ULTRA HT UNDERLAYMENT
- 4 SUITABLE ROOF DECK (BY OTHERS)
- 5 10x1-1/8" ULP PANCAKE HEAD WOOD SCREW, INSTALL 12" O.C. STAGGERED
- 6 CUT BACK VERTICAL LEGS AND FIELD FORM PANEL AROUND DRIP EDGE
- 7 DRIP EDGE, 4" END LAPS WITH CONT. MPS APPROVED CAULK AT LAPS
- 8 STRIP IN DRIP EDGE WITH ADDITIONAL COURSE OF MPS ULTRA HT UNDERLAYMENT
- 9 CONTINUOUS J-CHANNEL, FASTENED AT 20" O.C.
- 10 CONTINUOUS CLEAT, RIVETED TO J-CHANNEL AT 20" O.C.
- 11 MPS VERTICAL WALL PANEL FASCIA (MPS FP100 SHOWN)
- 12 SILL TRIM, 4" END LAPS WITH CONT. MPS APPROVED CAULK AT LAPS
- 13 BUILDING WRAP (BY OTHERS)



Description:

EAVE WITH WALL PANEL DETAIL

Detail No.:

MPS-EWP1

Substrate:

SUITABLE SUBSTRATE

Date:

4/14/2020